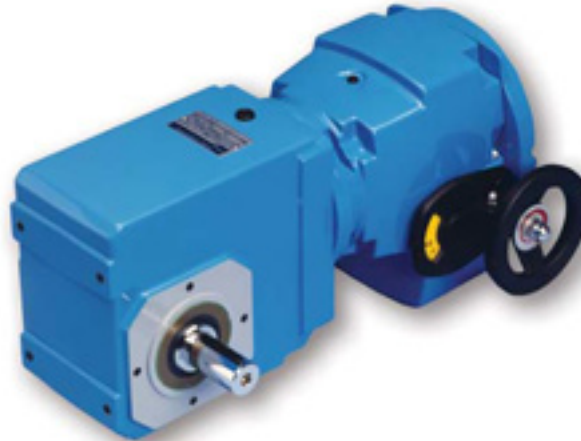


"K" Series – Right Angle Helical/Bevel MGS® Adjustable Speed Drives

Performance Specifications:

- Horsepower ratings – from 1/2 to 10
- Output speeds – available from 569 to .9 RPM
- Speed range – 5:1 to 7:1
- Output torques – up to 99,227 in.lbs.
- NEMA frames – from 56C to 215TC

With the many mounting options available, ComTrac Adjustable Speed Drives and MGS Helical/Bevel Speed Reducers offer consistent, higher input-to-output efficiencies and a configurations for almost any application situation. This added efficiency reduces your costs today through smaller gear drive and motor sizing. Tomorrow, you'll benefit through optimum energy savings.



"F" Series – MGS® Adjustable Speed Drives Lubrication and Mounting Position

Position EL1

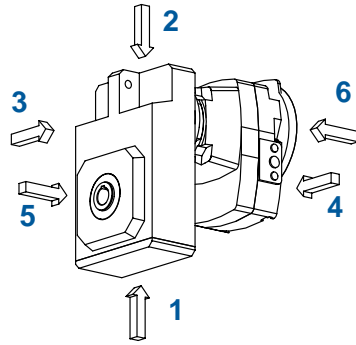


Table No. 1
Quantity of Lubricant

Module	Quantity	
	ozs.	liters
F102	24	.7
F202	47	1.4
F203	68	2.0
F302	74	2.2
F303	95	2.8
F402	101	3.0
F403	139	4.1
F602	179	5.3
F603	250	7.4

Position EL2

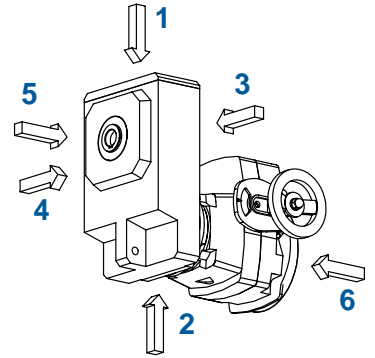


Table No. 2
Quantity of Lubricant

Module	Quantity	
	ozs.	liters
F102	27	.8
F202	61	1.8
F203	74	2.2
F302	84	2.5
F303	105	3.1
F402	122	3.6
F403	132	3.9
F602	203	6.0
F603	237	7.0

Position EL3

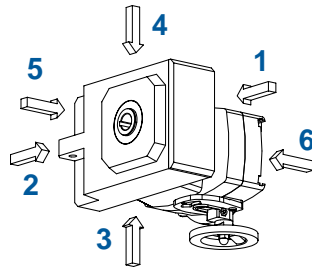


Table No. 3 **Quantity of Lubricant**

Module	Quantity		Module	Quantity	
	ozs.	liters		ozs.	liters
F102	24	.7	F402	95	2.8
F202	41	1.2	F403	101	3.0
F203	47	1.4	F602	162	4.8
F302	68	2.0	F603	182	5.4
F303	78	2.3			

Position EL4

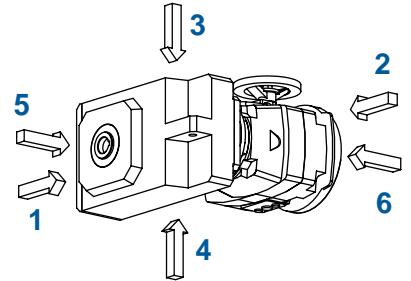


Table No. 4 **Quantity of Lubricant**

Module	Quantity		Module	Quantity	
	ozs.	liters		ozs.	liters
F102	24	.7	F402	95	2.8
F202	41	1.2	F403	101	3.0
F203	47	1.4	F602	162	4.8
F302	68	2.0	F603	182	5.4
F303	78	2.3			

Position EL5

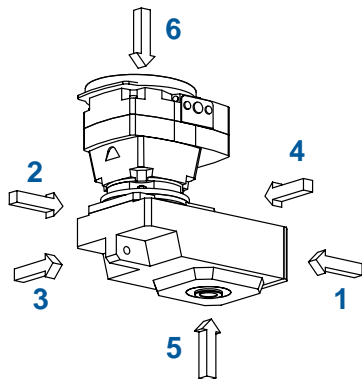


Table No. 5
Quantity of Lubricant

"A" – Hollow Output		
Module	ozs.	liters
F102	30	.90
F202	71	2.10
F203	76	2.25
F302	101	3.00
F303	117	3.45
F402	155	4.60
F403	169	5.00
F602	257	7.60
F603	274	8.10

"V" – Solid Output		
Module	ozs.	liters
F102	30	.90
F202	73	2.15
F203	81	2.40
F302	113	3.35
F303	122	3.50
F402	155	4.70
F403	179	5.30
F602	257	7.70
F603	291	8.20

Position EL6

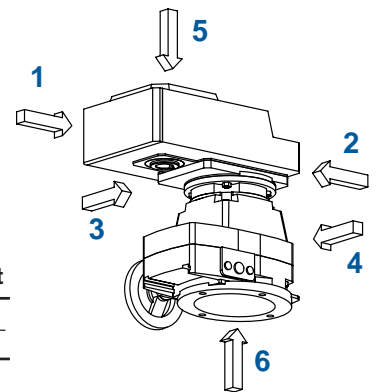


Table No. 6
Quantity of Lubricant

Module	Quantity	
	ozs.	liters
F102	24	.7
F202	54	1.6
F203	64	1.9
F302	68	2.0
F303	78	2.3
F402	101	3.0
F403	118	3.5
F602	186	5.5
F603	220	6.5

"K" Series – MGS® Adjustable Speed Drives Lubrication and Mounting Position

The unit shown has the shaft on Side 4 (left) in all drawings. Mounting position is not a description of shaft side extension.

Position EL1 K1 — K4

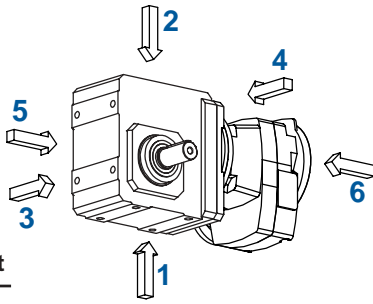


Table No. 1
Quantity of Lubricant

Module	Quantity	
	ozs.	liters
K102	14	.4
K202	27	.8
K203	51	1.5
K302	41	1.2
K303	61	1.8
K402	84	2.5
K403	118	3.5

Position EL2 K1 — K4

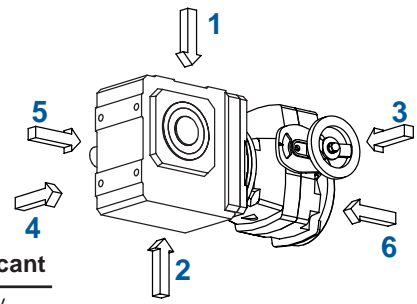


Table No. 2
Quantity of Lubricant

Module	Quantity	
	ozs.	liters
K102	37	1.1
K202	61	1.8
K203	74	2.2
K302	84	2.5
K303	101	3.0
K402	135	4.0
K403	152	4.5

Position EL3 K1 — K4

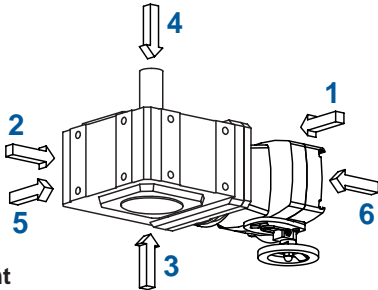


Table No. 3
Quantity of Lubricant

Module	Quantity	
	ozs.	liters
K102	24	.7
K202	54	1.6
K203	64	1.9
K302	78	2.3
K303	91	2.7
K402	118	3.5
K403	135	4.0

Position EL4 K1 — K4

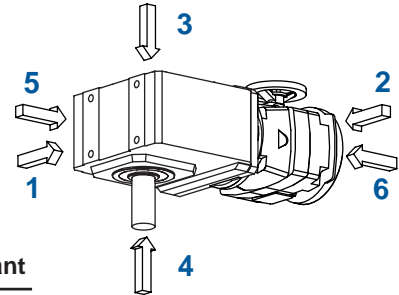


Table No. 4
Quantity of Lubricant

Module	Quantity	
	ozs.	liters
K102	24	.7
K202	54	1.6
K203	64	1.9
K302	78	2.3
K303	91	2.7
K402	118	3.5
K403	135	4.0

Position EL5 K1 — K4

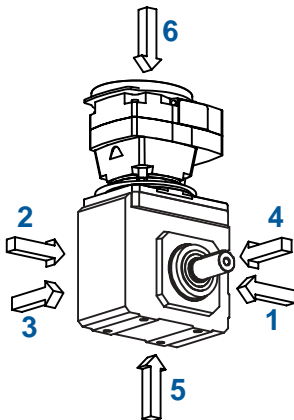


Table No. 5
Quantity of Lubricant

Module	Quantity	
	ozs.	liters
K102	46	1.36
K202	75	2.25
K203	84	2.50
K302	118	3.50
K303	135	4.00
K402	179	5.30
K403	191	5.65

Position EL6 K1 — K4

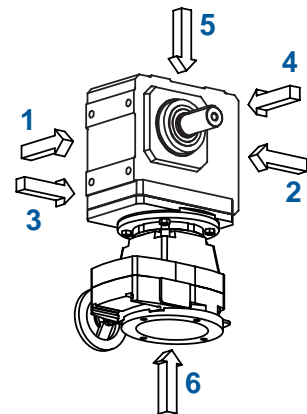


Table No. 6
Quantity of Lubricant

Module	Quantity	
	ozs.	liters
K102	31	.9
K203	68	2.0
K203	81	2.4
K302	101	3.0
K303	118	3.5
K402	135	4.0
K403	152	4.5

"K" Series – MGS® Adjustable Speed Drives Lubrication and Mounting Position

The unit shown has the shaft on Side 4 (left) in all drawings. Mounting position is not a description of shaft side extension.

Position EL1 K5 — K10

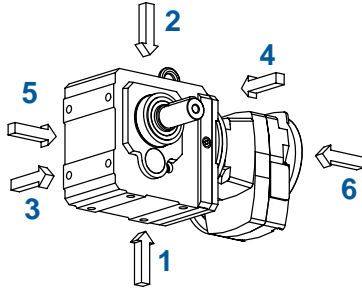


Table No. 1 Quantity of Lubricant

Module	Quantity		Module	Quantity	
	ozs.	liters		ozs.	liters
K513	101	3.0	K813	270	8.0
K514	135	4.0	K814	439	13.0
K613	132	3.9	K913	473	14.0
K614	182	5.4	K914	777	23.0
K713	170	5.0	K1013	1014	30.0
K714	270	8.0	K1014	1115	33.0

Position EL2 K5 — K10

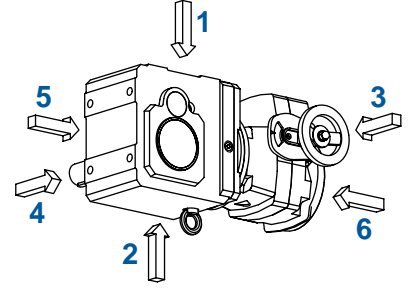


Table No. 2 Quantity of Lubricant

Module	Quantity		Module	Quantity	
	ozs.	liters		ozs.	liters
K513	135	4.0	K813	406	12.0
K514	152	4.5	K814	439	13.0
K613	169	5.0	K913	676	20.0
K614	186	5.5	K914	710	21.0
K713	237	7.0	K1013	1588	47.0
K714	253	7.5	K1014	1723	51.0

Position EL3 K5 — K10

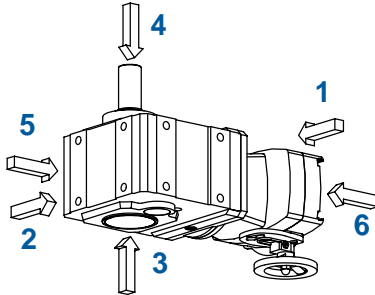


Table No. 3 Quantity of Lubricant

Module	Quantity		Module	Quantity	
	ozs.	liters		ozs.	liters
K513	118	3.5	K813	406	12.0
K514	135	4.0	K814	439	13.0
K613	169	5.0	K913	713	21.1
K614	186	5.5	K914	743	22.0
K713	220	6.5	K1013	1690	50.0
K714	237	7.0	K1014	1858	55.0

Position EL4 K5 — K10

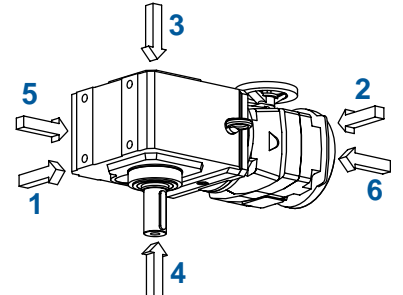


Table No. 4 Quantity of Lubricant

Module	Quantity		Module	Quantity	
	ozs.	liters		ozs.	liters
K513	118	3.5	K813	406	12.0
K514	135	4.0	K814	439	13.0
K613	169	5.0	K913	713	21.1
K614	186	5.5	K914	743	22.0
K713	220	6.5	K1013	1690	50.0
K714	237	7.0	K1014	1858	55.0

Position EL5 K5 — K10

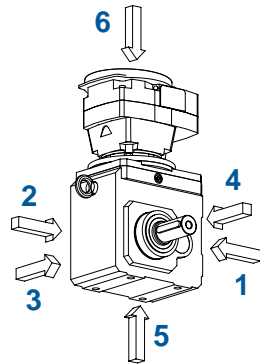


Table No. 5 Quantity of Lubricant

"A" Hollow Output					
Module	ozs.	liters	Module	ozs.	liters
K513	193	5.7	K813	676	20.0
K514	220	6.5	K814	727	21.5
K613	280	8.3	K913	1250	37.0
K614	304	9.0	K914	1301	38.5
K713	372	11.0	K1013	1960	58.0
K714	416	12.3	K1014	2129	63.0

"V" Solid Output					
Module	ozs.	liters	Module	ozs.	liters
K513	196	5.8	K813	710	21.0
K514	223	6.6	K814	760	22.5
K613	284	8.4	K913	1284	38.0
K614	311	9.2	K914	1362	40.3
K713	382	11.3	K1013	1960	58.0
K714	426	12.6	K1014	2129	63.0

Position EL6 K5 — K10

Table No. 6 Quantity of Lubricant

Module	Quantity	
	ozs.	liters
K513	135	4.0
K514	152	4.5
K613	169	5.0
K614	203	6.0
K713	270	8.0
K714	287	8.5
K813	406	12.0
K814	439	13.0
K913	710	21.0
K914	743	22.0
K1013	1453	43.0
K1014	1656	49.0

