

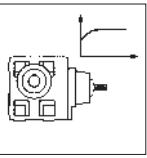
### Permissible radial and axial forces – helical-worm gearboxes

VAK	Solid shaft with flange $F_r$ : acts on the middle of the shaft ( $x = l/2$ ) $F_{a Tab}$ only valid for $F_r = 0$							
	GSS 04		GSS 05		GSS 06		GSS 07	
$n_2$ [min <sup>-1</sup> ]	$F_{r Tab}$ [N]	$F_{a Tab}$ [N]	$F_{r Tab}$ [N]	$F_{a Tab}$ [N]	$F_{r Tab}$ [N]	$F_{a Tab}$ [N]	$F_{r Tab}$ [N]	$F_{a Tab}$ [N]
250	4100	3500	4900	2500	7000	2800	7900	2400
160	4400	4000	4900	3100	8100	3500	9100	3200
100	4700	4200	4900	4000	9400	4500	10600	4300
63	4700	4200	4900	4900	9400	5700	12400	5900
40	4700	4200	4900	5500	9400	7300	14000	8000
25	4700	4200	4900	5500	9400	8800	14000	10000
1 6	4700	4200	4900	5500	9400	8800	14000	10000
$F_{r max}$	4700	–	4900	–	9400	–	14000	–

VOR	Solid shaft without flange $F_r$ acts on the middle of the shaft ( $x = l/2$ ) $F_{a Tab}$ only valid for $F_r = 0$							
	GSS 04		GSS 05		GSS 06		GSS 07	
$n_2$ [min <sup>-1</sup> ]	$F_{r Tab}$ [N]	$F_{a Tab}$ [N]	$F_{r Tab}$ [N]	$F_{a Tab}$ [N]	$F_{r Tab}$ [N]	$F_{a Tab}$ [N]	$F_{r Tab}$ [N]	$F_{a Tab}$ [N]
250	3000	3700	2900	2800	3600	3200	4200	3100
160	3500	4200	3400	3500	4200	4100	5100	4100
100	4100	4900	4000	4400	5000	5200	6300	5500
63	4200	5500	4300	5500	5900	6500	7700	7200
40	4200	5500	4300	6000	6900	8200	9300	9500
25	4200	5500	4300	6000	8200	9000	11300	12500
1 6	4200	5500	4300	6000	8500	9000	12000	12500
$F_{r max}$	4200	–	4300	–	8500	–	12000	–

H□□	Hollow shaft $F_r$ acts on the middle of the shaft ( $x = 0$ ) $F_{a Tab}$ only valid for $F_r = 0$							
	GSS 04		GSS 05		GSS 06		GSS 07	
$n_2$ [min <sup>-1</sup> ]	$F_{r Tab}$ [N]	$F_{a Tab}$ [N]	$F_{r Tab}$ [N]	$F_{a Tab}$ [N]	$F_{r Tab}$ [N]	$F_{a Tab}$ [N]	$F_{r Tab}$ [N]	$F_{a Tab}$ [N]
250	3800	3700	3600	2800	4800	3200	5600	3100
160	4500	4200	4300	3500	5600	4100	6700	4100
100	5300	4900	5100	4400	6600	5200	8200	5500
63	6000	5500	6000	5500	7700	6500	10000	7200
40	6000	5500	7000	6000	9100	8200	12100	9500
25	6000	5500	7500	6000	10700	9000	14800	12500
1 6	6000	5500	7500	6000	11500	9000	16000	12500
$F_{r max}$	6000	–	7500	–	11500	–	16000	–

For hollow shaft with shrink disc (S□□), radial and axial forces are not permissible.

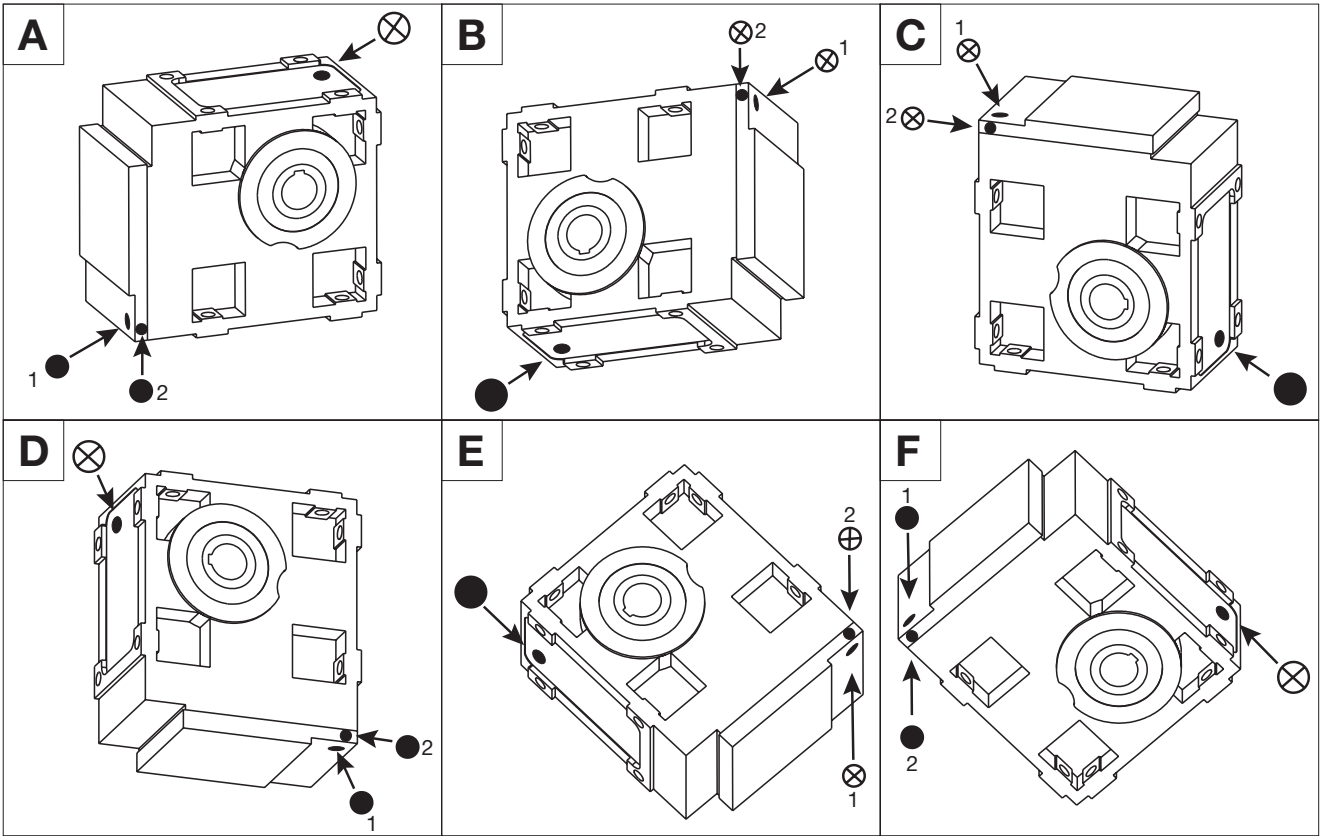


# Technical data

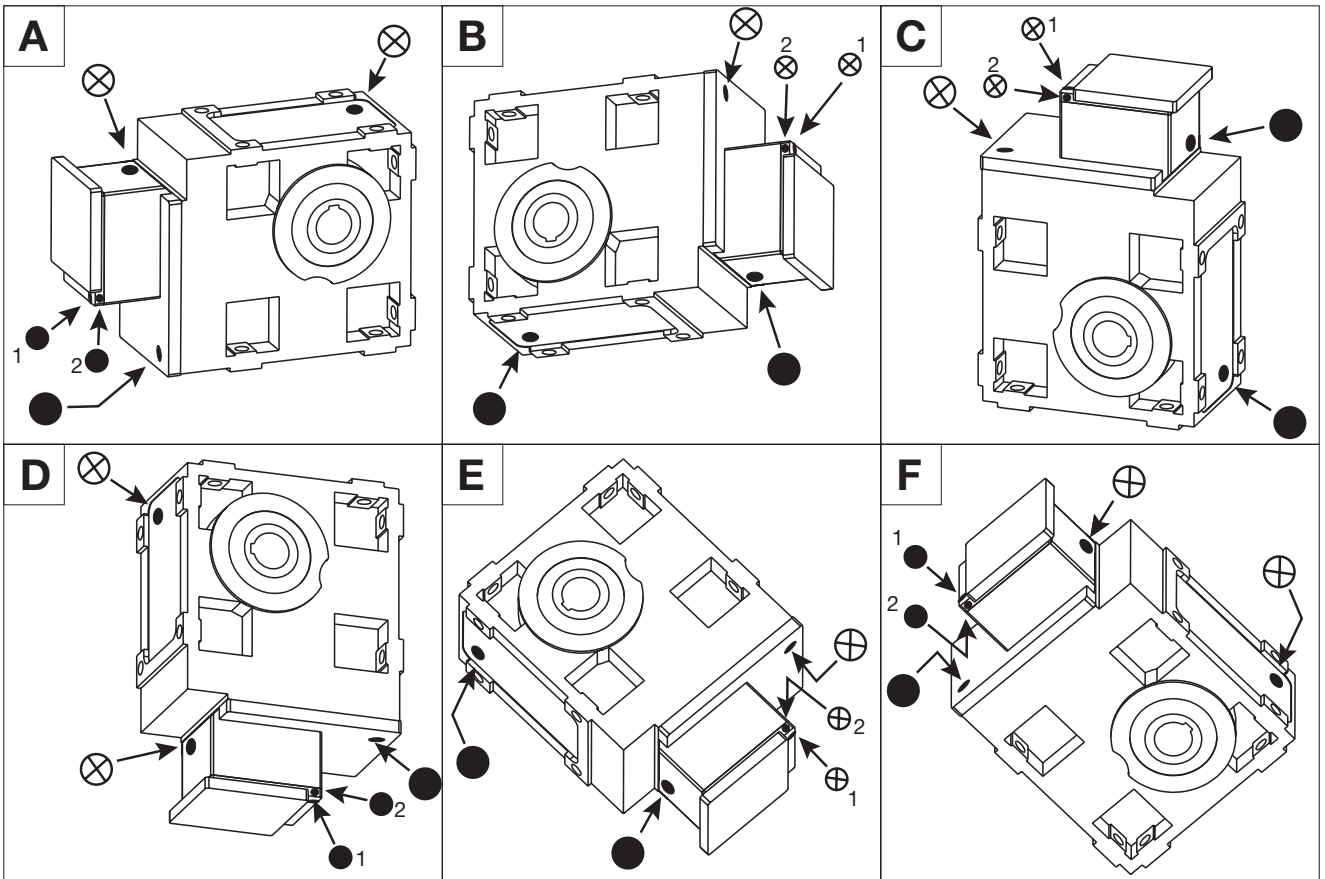
## Gearboxes

### Position of breather, oil filler plug and oil drain plug

Helical-worm gearboxes GSS 05...07 - 2



Helical-worm gearboxes GSS 05...07 - 3



Mounting position (A...F)

⊗ Breather/oil filler plug

● Oil drain plug