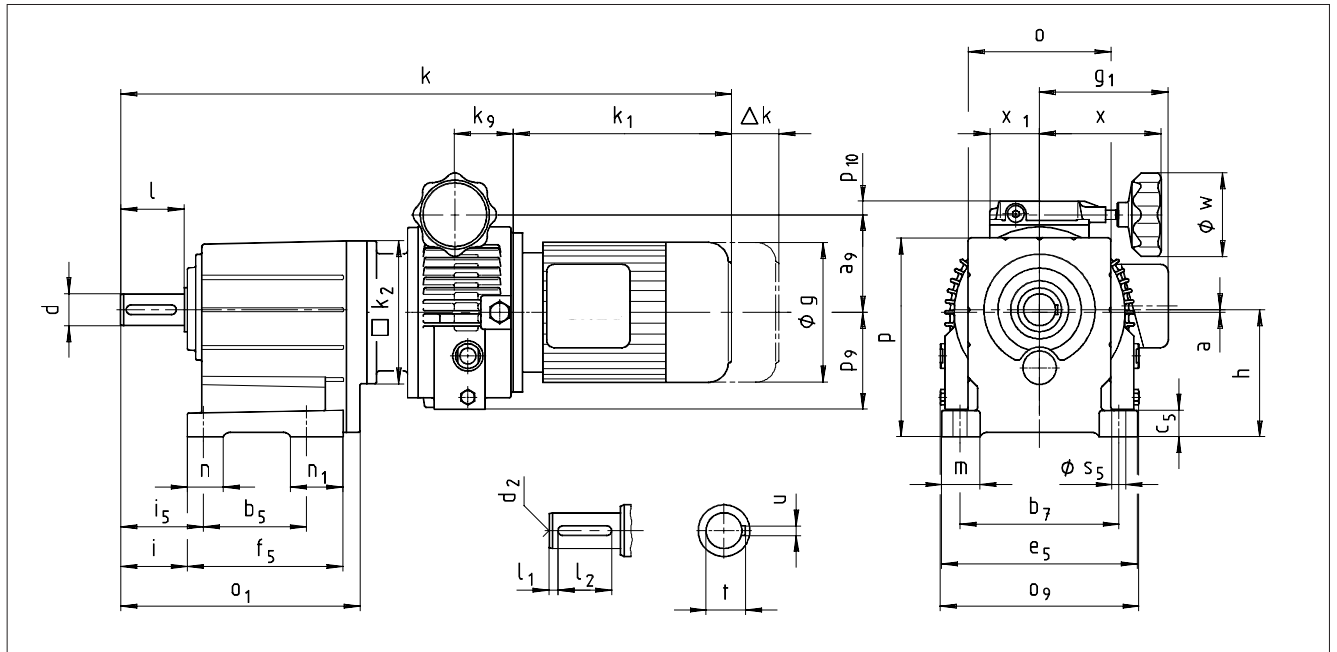
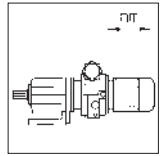


DISCO variable speed drives

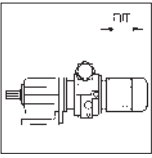
Dimensions with helical gearboxes



DISCO variable speed drives		Drive size												
GST □□ - 2 D VBR		071-1□ 02	071-3□ 03	080-3□ 04	090-3□ 05	100-32 06	112-22 07	132-12 18	132-22 08					
Motor	g	143	143	160	180	206	222	274	274					
	g₁	Without options	128	128	137	147	140	174	196	196				
		Brake motor	131	131	142	154	151	174	212	212				
	k₁	237	237	267	350	316	379	450	450					
Δk Brake	54	54	36	48	111	80	63	63						
DISCO	a₉	83	86	103	123	149		190						
	k₂	145	145	180	180	265		300						
	k₉	42	50	58	74	82		104						
	o₉	150	175	215	253	305		379						
	p₉	65	83	98	122	145		176						
	p₁₀	14	14	17	17	17		26						
	w	70	70	105	105	105		160						
	x	105	105	152	152	152		195 1)						
x₁	43	43	63	63	63		111							
Gearbox size	Gearbox					Total length								
	o*	o₁	p*	h**	a	k								
GST 04	100	174	132	80	0	548	561	621						
GST 05	115	214	159	100	1	578	591	651	763					
GST 06	145	243	198	125	2	604	617	677	789					
GST 07	180	302	251	160	3			733	845	842	905	1012	1012	
GST 09	222	370	311	200	4			796	908	905	968	1075	1075	
GST 11	270	433	385	250	4				965	962	1025	1132	1132	
GST 14	328	533	479	315	6					1052	1115	1222	1222	

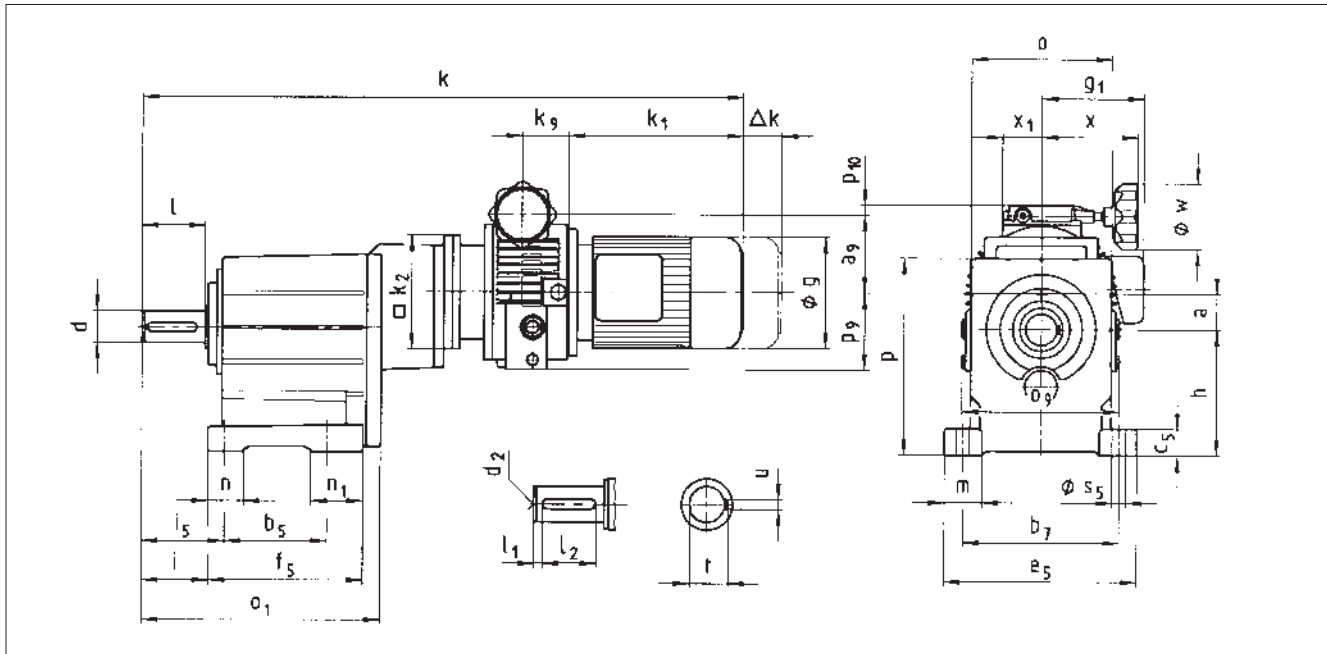
Gearbox size	Solid shaft								Foot									
	d	l	l₁	l₂	d₂	u	t	b₅	b₇	c₅	e₅	f₅	i	i₅	m	n	n₁	s₅
GST 04	20	40	5	28	M6	6	22.5	76	105	18	129	112	43	53	25	20	36	9
GST 05	25	50	4	40	M10	8	28	90	125	23	155	139	53	66	33	26	49	11
GST 06	30	60	6	45	M10	8	33	106	160	28	196	157	64	79	38	35	52	13.5
GST 07	40	80	7	63	M16	12	43	130	200	34	247	196	84	104	49	45	66	18
GST 09	50	100	8	80	M16	14	53.5	165	245	44	298	239	105	127.5	54	48	74	18
GST 11	60	120	8	100	M20	18	64	200	300	54	368	280	125	155	69	65	80	22
GST 14	80	160	15	125	M20	22	85	250	380	65	460	340	165	200	85	85	91	26

Dimensions in [mm] d ≤ 50 mm: k6 * Observe dimension k₂ 1) Plus 80 mm handle
 d > 50 mm: m6 ** Observe dimension p₉



DISCO variable speed drives

Dimensions with helical gearboxes

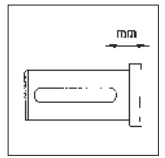


4

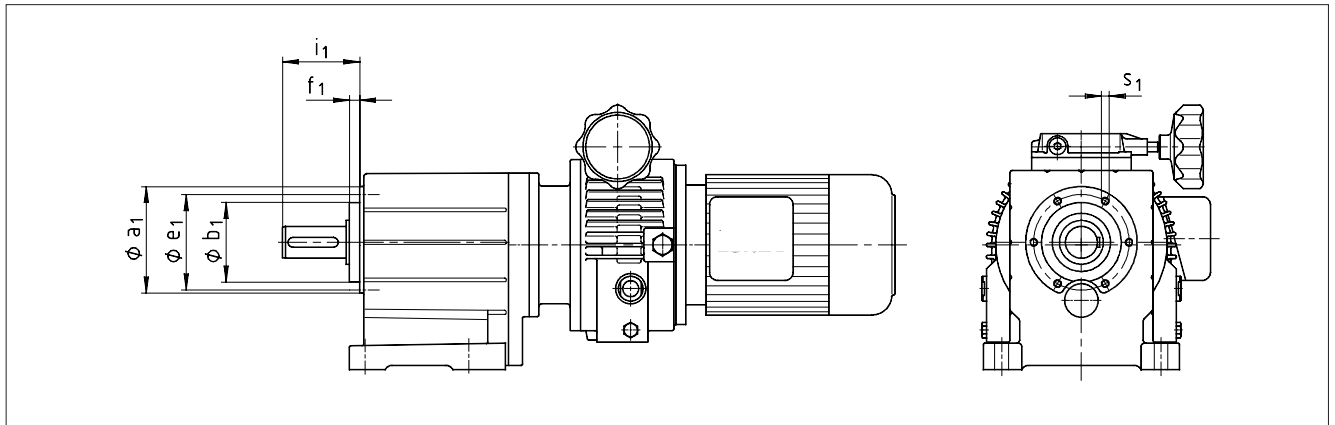
DISCO variable speed drives		Drive size																
GST □□ - 3 D VBR		071-1□ 02	071-3□ 03	080-3□ 04	090-3□ 05	100-32 06	112-22 07	132-12 18	132-22 08									
Motor	g	143	143	160	180	206	222	274	274									
	g₁ Without options	128	128	137	147	140	174	196	196									
	Brake motor	131	131	142	154	151	174	212	212									
	k₁	237	237	267	350	316	379	450	450									
	Δk Brake	54	54	36	48	111	80	63	63									
DISCO	a₉	83	86	103	123	149		190										
	k₂	145	145	180	180	265		300										
	k₉	42	50	58	74	82		104										
	o₉	150	175	215	253	305		379										
	p₉	65	83	98	122	145		176										
	p₁₀	14	14	17	17	17		26										
	w	70	70	105	105	105		160										
	x	105	105	152	152	152		195 1)										
x₁	43	43	63	63	63		111											
Gearbox size	Gearbox					Total length												
	o*	o₁	p*	h	a	k												
GST 05	115	208	159	100	35	654	668											
GST 06	145	240	198	125	34	697	711	771										
GST 07	180	302	251	160	42	764	778	838	950									
GST 09	222	370	311	200	52	845	859	919	1031									
GST 11	270	433	385	250	66			995	1107	1104	1167							
GST 14	328	533	479	315	83			1119	1231	1228	1291	1398	1398					

Gearbox size	Solid shaft								Foot									
	d	l	l₁	l₂	d₂	u	t	b₅	b₇	c₅	e₅	f₅	i	i₅	m	n	n₁	s₅
GST 05	25	50	4	40	M10	8	28	90	125	23	155	139	53	66	32.5	26	49	11
GST 06	30	60	6	45	M10	8	33	106	160	28	196	157	64	79	38	35	52	13.5
GST 07	40	80	7	63	M16	12	43	130	200	34	247	196	84	104	48.5	45	66	18
GST 09	50	100	8	80	M16	14	53.5	165	245	44	298	239	105	127.5	54	48	74	18
GST 11	60	120	8	100	M20	18	64	200	300	54	368	280	125	155	69	65	80	22
GST 14	80	160	15	125	M20	22	85	250	380	65	460	340	165	200	85	85	91	26

Dimensions in [mm] d ≤ 50 mm: k6 * Observe dimension k₂
d > 50 mm: m6 1) Plus 80 mm handle

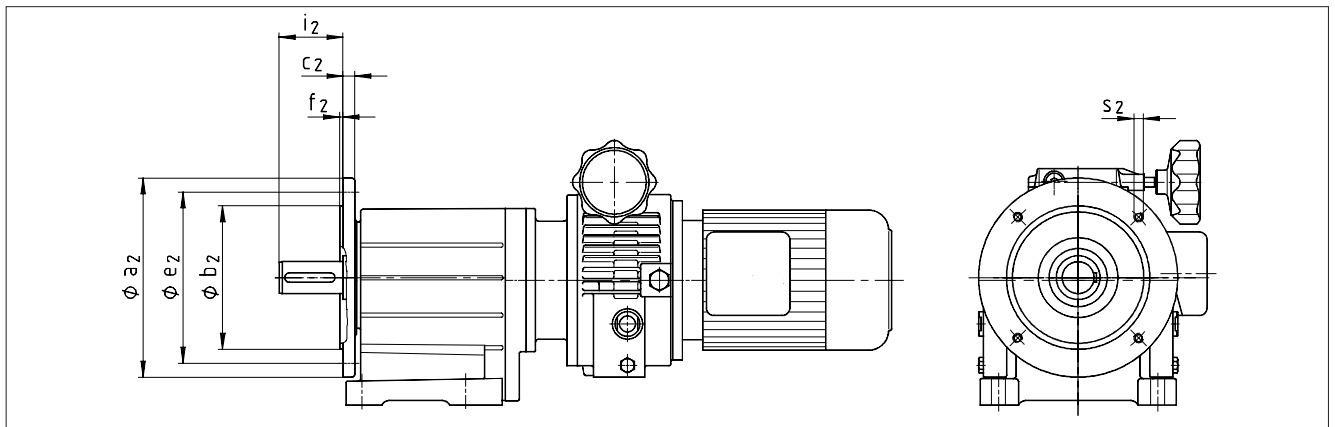


Output design VAR



Gearbox size	a ₁	b ₁ h7	e ₁	f ₁	i ₁	s ₁ 6 x 60°
GST 04	72	48	61	8	51	M5x10
GST 05	88	58	74	9	62	M6x12
GST 06	109	70	90	10	74	M8x14
GST 07	140	100	120	13	97	M10x8
GST 09	174	120	145	15	120	M12x20
GST 11	215	150	185	18	143	M16x26
GST 14	265	195	230	22	187	M20x34

Output design VAL



Gearbox size	a ₂	b ₂ j7	c ₂	e ₂	f ₂	i ₂	s ₂ 4 x 90°
GST 04	120	80	10	100	3	40	M6
	140	95		115			M8
GST 05	120	80	10	100	3	50	M6
	140	95		115	3		M8
	160	110		130	3.5		M8
GST 06	160	110	12	130	3.5	60	M8
	200	130		165			M10
GST 07	200	130	14	165	3.5	80	M10
	250	180	15	215	4		M12
GST 09	250	180	16	215	4	100	M12
	300	230	18	265			
GST 11	300	230	18	265	4	120	M12
	350	250	20	300	5		M16
GST 14	350	250	22	300	5	160	M16
	400	300	24	350			

Dimensions in [mm]