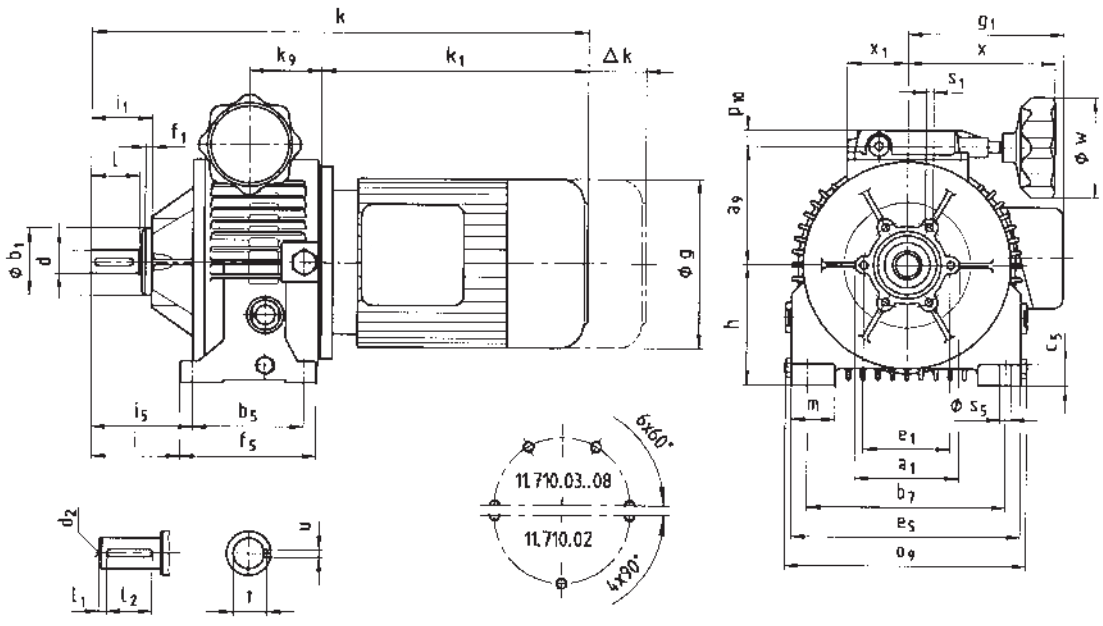
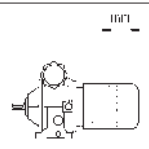


DISCO variable speed drives

Dimensions with motor

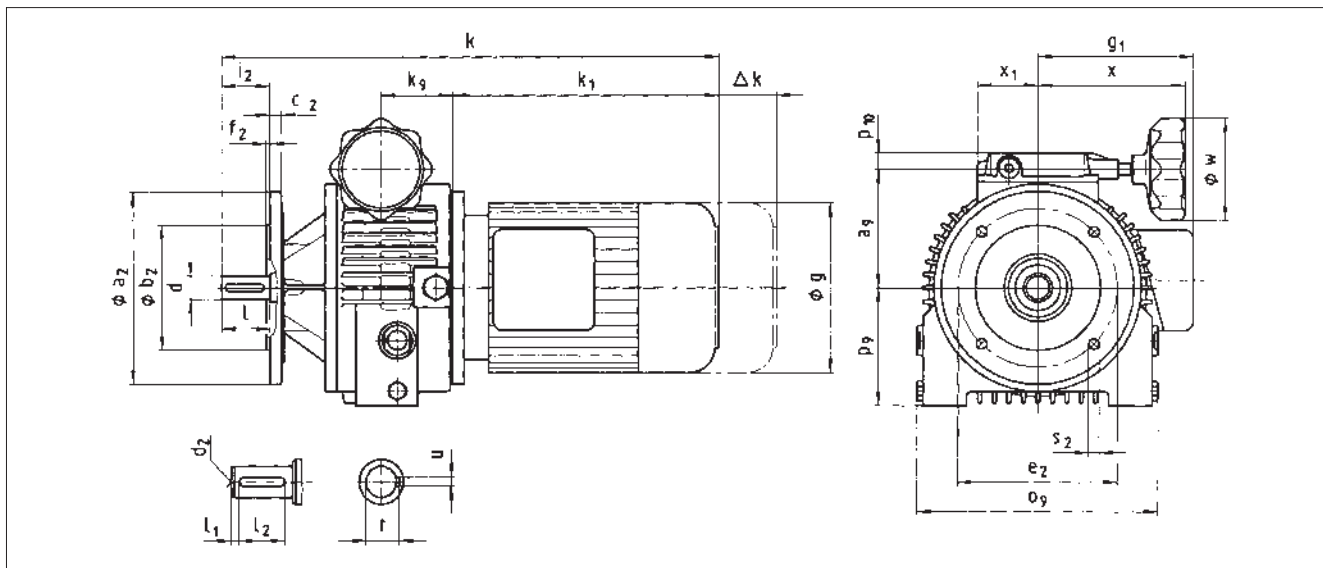
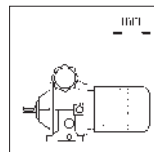


DISCO variable speed drives			Motor frame size							
11.710. □□.00 Foot design			071-1□ 071-3□	080-1□ 080-3□	090-1□ 090-3□	100-1□ 100-32	112-22	132-12	132-22	
Motor	g		143	160	180	206	222	274	274	
	g ₁		128	137	147	140	174	196	196	
	Brake motor		131	142	154	151	174	212	212	
	k ₁		237	267	350	316	379	450	450	
Δk Brake		54	36	48	111	80	63	63		
Gearbox size	Gearboxes								Total length	
	a ₉	h	k ₉	o ₉	p ₁₀	w	x	x ₁	k	
11.710.02	83	67*	42	150	14	70	105	43	368	
11.710.03	86	80	50	175	14	70	105	43	395	
11.710.04	103	102	58	215	17	105	152	63		465
11.710.05	123	125	74	253	17	105	152	63		589
11.710.06	149	150	82	305	17	105	152	63		596
11.710.07	149	150	82	305	17	105	152	63		659
11.710.18	190	180	104	379	26	160	195 ¹⁾	111		774
11.710.08	190	180	104	379	26	160	195 ¹⁾	111		774

Gearbox size	Solid shaft							Pitch circle						Foot									
	d k6	l	l ₁	l ₂	d ₂	u	t	a ₁	b ₁ h ₇	e ₁	f ₁	i ₁	s ₁	b ₅	b ₇	c ₅	e ₅	f ₅	i	i ₅	m	s ₅	
11.710.02	11	23	3	16	M4	4	12.5	86	58	74	5	35	M6x14	90	110	3.5	140	110	33	43	25	10	
11.710.03	14	30	4	20	M5	5	16	90	58	74	5	42	M6x10	90	120	14	160	125	44	62	32	10	
11.710.04	19	40	5	28	M6	6	21.5	108	70	90	5	54	M8x16	100	150	17	200	134	71	89	40	11	
11.710.05	24	50	4	40	M8	8	27	108	70	90	5	64	M8x16	115	205	22	238	140	95	107	45	11	
11.710.06	28	60	6	40	M10	8	31	140	100	120	7	77	M10x20	220	255	26	290	252	76	92	55	13.5	
11.710.07	28	60	6	40	M10	8	31	140	100	120	7	77	M10x20	220	255	26	290	252	76	92	55	13.5	
11.710.18	38	80	10	56	M12	10	41	165	120	145	11	100	M12x24	255	320	30	364	305	86	110	60	17.5	
11.710.08	38	80	10	56	M12	10	41	165	120	145	11	100	M12x24	255	320	30	364	305	86	110	60	17.5	

Dimensions in [mm] * g/2 > h

1) Plus 80 mm for handle

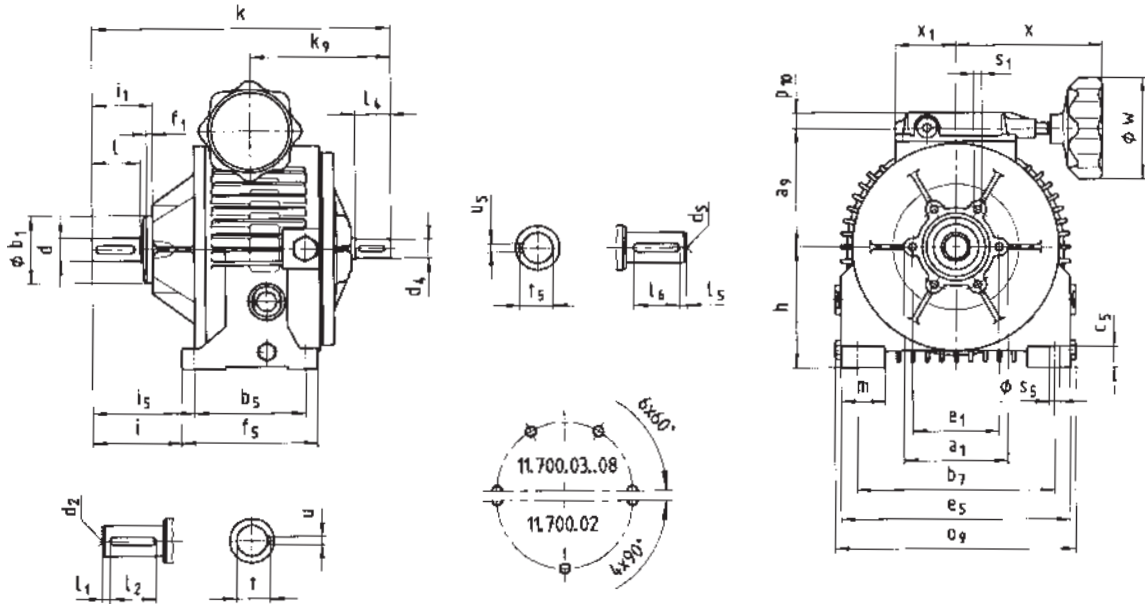
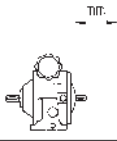


DISCO variable speed drives		Motor frame size							
11.710. □ □ .00 Flange design		071-1□ 071-3□	080-1□ 080-3□	090-1□ 090-3□	100-1□ 100-3□	112-22	132-12	132-22	
Motor	g	143	160	180	206	222	274	274	
	g ₁	128	137	147	140	174	196	196	
	Brake motor	131	142	154	151	174	212	212	
	k ₁	237	267	350	316	379	450	450	
	Δk Brake	54	36	48	111	80	63	63	
Gearbox size	Gearboxes							Total length	
	a ₉	k ₉	o ₉	p ₉ *	p ₁₀	w	x	x ₁	k
11.710.02	83	42	150	65	14	70	105	43	368
11.710.03	86	50	175	83	14	70	105	43	395
11.710.04	103	58	215	98	17	105	152	63	465
11.710.05	123	74	253	122	17	105	152	63	589
11.710.06	149	82	305	145	17	105	152	63	596
11.710.07	149	82	305	145	17	105	152	63	659
11.710.18	190	104	379	176	26	160	195 ¹⁾	111	774
11.710.08	190	104	379	176	26	160	195 ¹⁾	111	774

Gearbox size	Solid shaft							Output flange						
	d k6	l	l ₁	l ₂	d ₂	u	t	a ₂	b ₂ j7	c ₂	e ₂	f ₂	l ₂	s ₂
11.710.02	11	23	3	16	M4	4	12,5	120	80	12	100	3	23	7
								140	95	10	115	3		9
								160	110	10	130	3,5		9
11.710.03	14	30	4	20	M5	5	16	140	95	10	115	3	30	9
								160	110	10	130	3,5		9
								200	130	12	165	3,5		11
11.710.04	19	40	5	28	M6	6	21,5	160	110	12	130	3,5	40	9
								200	130	12	165	3,5		11
								250	180	14	215	4		14
11.710.05	24	50	4	40	M8	8	27	160	110	12	130	3,5	50	9
								200	130	12	165	3,5		11
								250	180	14	215	4		14
11.710.06	28	60	6	40	M10	8	31	200	130	14	165	3,5	60	11
								250	180	15	215	4		14
								300	230	17	265	4		14
11.710.07	28	60	6	40	M10	8	31	200	130	14	165	3,5	60	11
								250	180	15	215	4		14
								300	230	17	265	4		14
11.710.18	38	80	10	56	M12	10	41	250	180	16	215	4	80	14
								300	230	18	265	4		14
								350	250	20	300	5		18
11.710.08	38	80	10	56	M12	10	41	250	180	16	215	4	80	14
								300	230	18	265	4		14
								350	250	20	300	5		18

DISCO variable speed drives

Dimensions with free input shaft



DISCO variable speed drives

11.700. □ □ .00 Foot design

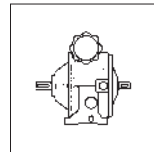
Gearbox size	Gearboxes								Input shaft							Total length k
	a ₉	h	k ₉	o ₉	p ₁₀	w	x	x ₁	d ₄ k ₆	l ₄	l ₅	l ₆	d ₅	u ₅	t ₅ +0.2	
11.700.02	83	67	94	150	14	70	105	43	11	23	3	16	M4	4	12.5	183
11.700.03	86	80	112	175	14	70	105	43	14	30	4	20	M5	5	16	219
11.700.04	103	102	112	215	17	105	152	63	15	30	5	20	M5	5	17	251
11.700.05	123	125	147	253	17	105	152	63	20	40	6	28	M6	6	22.5	312
11.700.06	149	150	186	305	17	105	152	63	25	50	5	40	M10	8	28	383
11.700.07	149	150	186	305	17	105	152	63	25	50	5	40	M10	8	28	383
11.700.18	190	180	256	379	26	160	195 ¹⁾	111	30	60	3	50	M10	8	33	476
11.700.08	190	180	256	379	26	160	195 ¹⁾	111	30	60	3	50	M10	8	33	476

Gearbox size	Solid shaft							Pitch circle						Foot								
	d k6	l	l ₁	l ₂	d ₂	u	t +0.2	a ₁	b ₁ h ₇	e ₁	f ₁	i ₁	s ₁	b ₅	b ₇	c ₅	e ₅	f ₅	i	i ₅	m	s ₅
11.700.02	11	23	3	16	M4	4	12.5	86	58	74	5	35	M6x14	90	110	3.5	140	110	33	43	25	10
11.700.03	14	30	4	20	M5	5	16	90	58	74	5	42	M6x10	90	120	14	160	125	44	62	32	10
11.700.04	19	40	5	28	M6	6	21.5	108	70	90	5	54	M8x16	100	150	17	200	134	71	89	40	11
11.700.05	24	50	4	40	M8	8	27	108	70	90	5	64	M8x16	115	205	22	238	140	95	107	45	11
11.700.06	28	60	6	40	M10	8	31	140	100	120	7	77	M10x20	220	255	26	290	252	76	92	55	13.5
11.700.07	28	60	6	40	M10	8	31	140	100	120	7	77	M10x20	220	255	26	290	252	76	92	55	13.5
11.700.18	38	80	10	56	M12	10	41	165	120	145	11	100	M12x24	255	320	30	364	305	86	110	60	17.5
11.700.08	38	80	10	56	M12	10	41	165	120	145	11	100	M12x24	255	320	30	364	305	86	110	60	17.5

Dimensions in [mm] 1) Plus 80 mm for handle

Disco variable speed drives

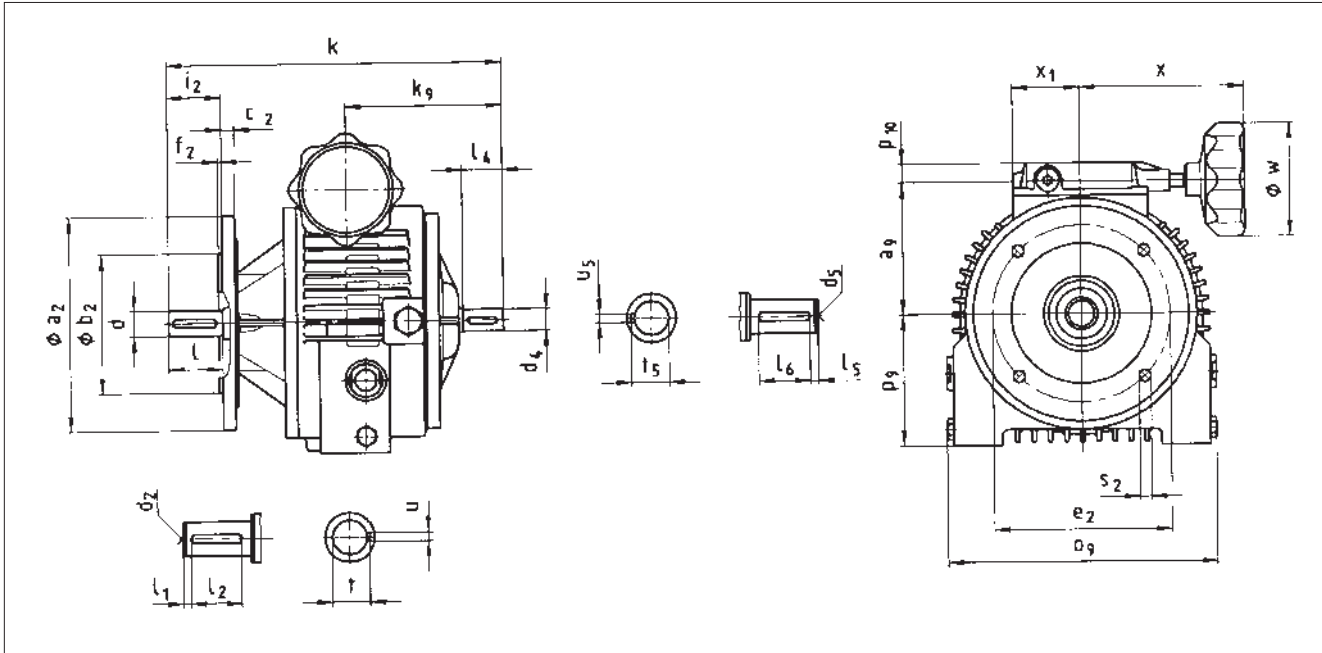
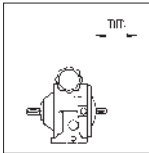
Selection tables with free input shaft



DISCO Dim. page 4-74	P _{1 perm} [kW] M _{2 perm} [Nm] n ₂ [min ⁻¹]	n1			
		3000 min ⁻¹	1500 min ⁻¹	1000 min ⁻¹	750 min ⁻¹
11.700.02.00	P ₁ M ₂ n ₂	0.37 1.6-3.2 1860-310	0.25 2-4 930-155	0.18 2-4 600-100	0.12 2-4 450-75
11.700.03.00	P ₁ M ₂ n ₂	0.55 2.2-4.4 1920-335	0.37 3-6 950-165	0.25 3-6 630-110	0.18 3-6 460-80
11.700.04.00	P ₁ M ₂ n ₂	1.1 4.5-9 1920-335	0.75 6-12 950-165	0.55 6-12 630-110	0.37 6-12 460-80
11.700.05.00	P ₁ M ₂ n ₂	2.2 9-18 1920-335	1.5 12-24 950-165	1.1 12-24 630-110	0.75 12-24 460-80
11.700.06.00	P ₁ M ₂ n ₂		3 22-44 1000-175	2.2 22-44 660-115	1.5 22-44 490-85
11.700.07.00	P ₁ M ₂ n ₂		4 32-64 1000-175	3 32-64 660-115	2.2 32-64 490-85
11.700.18.00	P ₁ M ₂ n ₂		5.5 45-90 1000-200	4 45-90 660-130	3 45-90 490-100
11.700.08.00	P ₁ M ₂ n ₂		7.5 58-116 1000-200	5.5 58-116 660-130	4 58-116 490-100

DISCO variable speed drives

Dimensions with free input shaft



DISCO variable speed drives

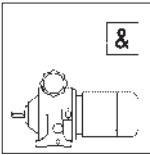
11.700. □ □ .00 Flange design

Gearbox size	Gearboxes							Input shaft						Total length k		
	a ₉	k ₉	o ₉	p ₉ *	p ₁₀	w	x	x ₁	d ₄ k ₆	l ₄	l ₅	l ₆	d ₅		u ₅	t ₅ +0.2
11.700.02	83	94	150	65	14	70	105	43	11	23	3	16	M4	4	12.5	183
11.700.03	86	112	175	83	14	70	105	43	14	30	4	20	M5	5	16	219
11.700.04	103	112	215	98	17	105	152	63	15	30	5	20	M5	5	17	251
11.700.05	123	147	253	122	17	105	152	63	20	40	6	28	M6	6	22.5	312
11.700.06	149	186	305	145	17	105	152	63	25	50	5	40	M10	8	28	383
11.700.07	149	186	305	145	17	105	152	63	25	50	5	40	M10	8	28	383
11.700.18	190	256	379	176	26	160	195 ¹⁾	111	30	60	3	50	M10	8	33	476
11.700.08	190	256	379	176	26	160	195 ¹⁾	111	30	60	3	50	M10	8	33	476

Gearbox size	Solid shaft							Flange							
	d k6	l	l ₁	l ₂	d ₂	u	t +0.2	a ₂	b ₂ j7	c ₂	e ₂	f ₂	i ₂	s ₂	
11.700.02	11	23	3	16	M4	4	12.5	120	80	12	100	3	23	7	
								140	95	10	115	3			9
								160	110	10	130	3.5			9
11.700.03	14	30	4	20	M5	5	16	140	95	10	115	3	30	9	
								160	110	10	130	3.5			9
								200	130	12	165	3.5			11
11.700.04	19	40	5	28	M6	6	21.5	160	110	12	130	3.5	40	9	
								200	130	12	165	3.5			11
								250	180	14	215	4			14
11.700.05	24	50	4	40	M8	8	27	160	110	12	130	3.5	50	9	
								200	130	12	165	3.5			11
								250	180	14	215	4			14
11.700.06	28	60	6	40	M10	8	31	200	130	14	165	3.5	60	11	
								250	180	15	215	4			14
								300	230	17	265	4			14
11.700.07	28	60	6	40	M10	8	31	200	130	14	165	3.5	60	11	
								250	180	15	215	4			14
								300	230	17	265	4			14
11.700.18	38	80	10	56	M12	10	41	250	180	16	215	4	80	14	
								300	230	18	265	4			14
								350	250	20	300	5			18
11.700.08	38	80	10	56	M12	10	41	250	180	16	215	4	80	14	
								300	230	18	265	4			14
								350	250	20	300	5			18

Dimensions in [mm] 1) Plus 80 mm for handle

11.700.02: Mounting to machine wall: Provide stud bolts



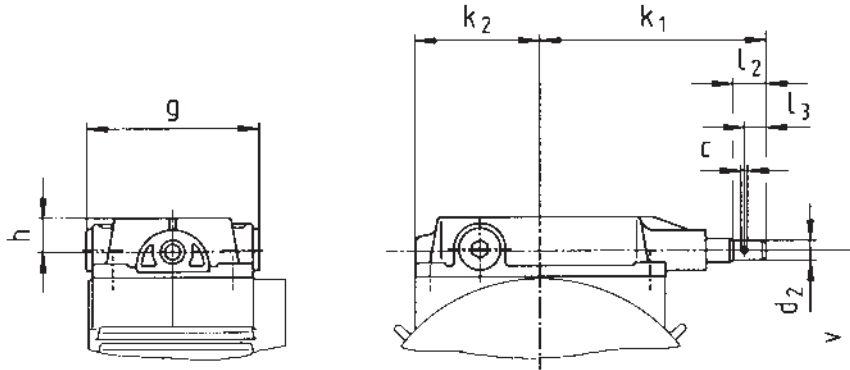
DISCO variable speed drives

Additional dimensions – attachments

Speed adjustment units

Spindle box

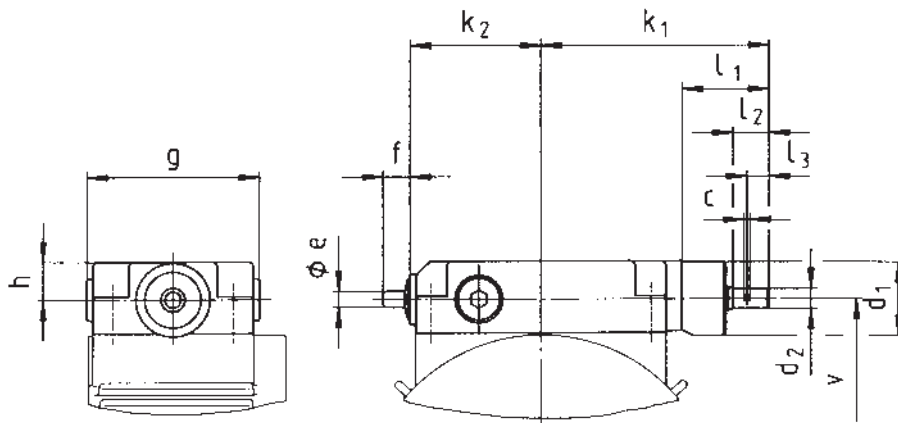
Standard design for handwheel adjustment



DISCO-size	c + 0.1	d ₂ h9	g	h	k ₁	k ₂	l ₂	l ₃	v
02	3.2	8	64	14	74	43	12.5	7	83
03	3.2	8	64	14	74	43	12.5	7	86
04	3.2	10	86	17	114	63	16.5	11	103
05	3.2	10	86	17	114	63	16.5	11	123
06/07	3.2	10	86	17	114	63	16.5	11	149

Options

Universal design suitable for handwheel adjustment, bevel gear adjustment and electrical remote control

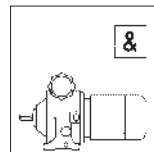


DISCO-size	c + 0.1	d ₁ h9	d ₂ j7	e	f	g	h	k ₁	k ₂	l ₁	l ₂	l ₃	v
02	3.0	30	8	8	13	64	16	84	46	31	14	7	86
03	3.0	30	8	8	13	64	16	84	46	31	14	7	89
04	3.0	37	10	8	13	86	19	114	66	42	18	11	107
05	3.0	37	10	8	13	86	19	114	66	42	18	11	125
06/07	3.0	37	10	8	13	86	19	114	66	42	18	11	153
18/08*	4.0	52	15	8	13	106	26	161	98	55	21	14	190

* With size 18/08 standard design
Dimensions in [mm]

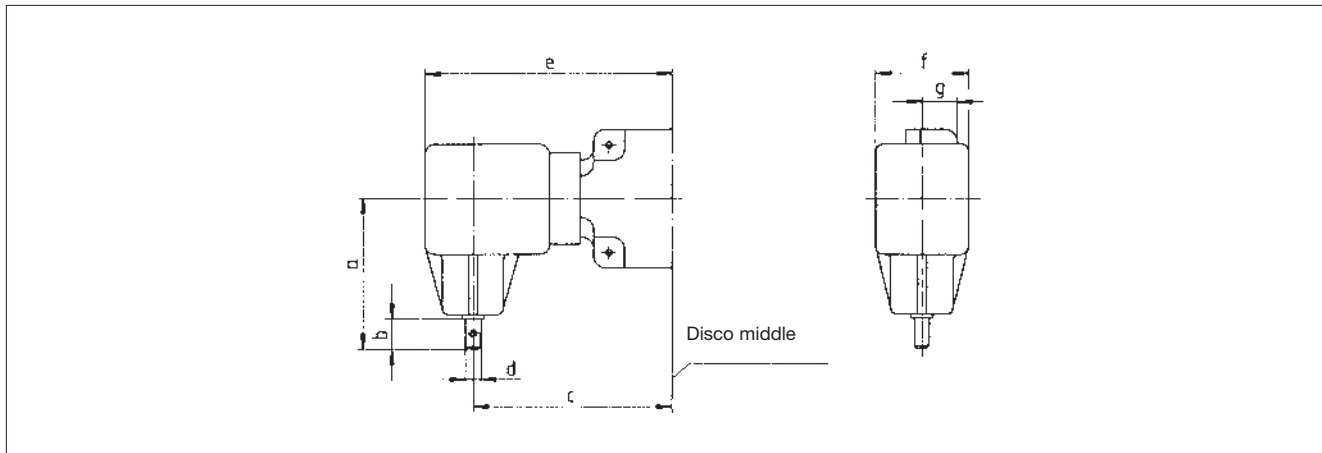
DISCO variable speed drives

Additional dimensions – attachments



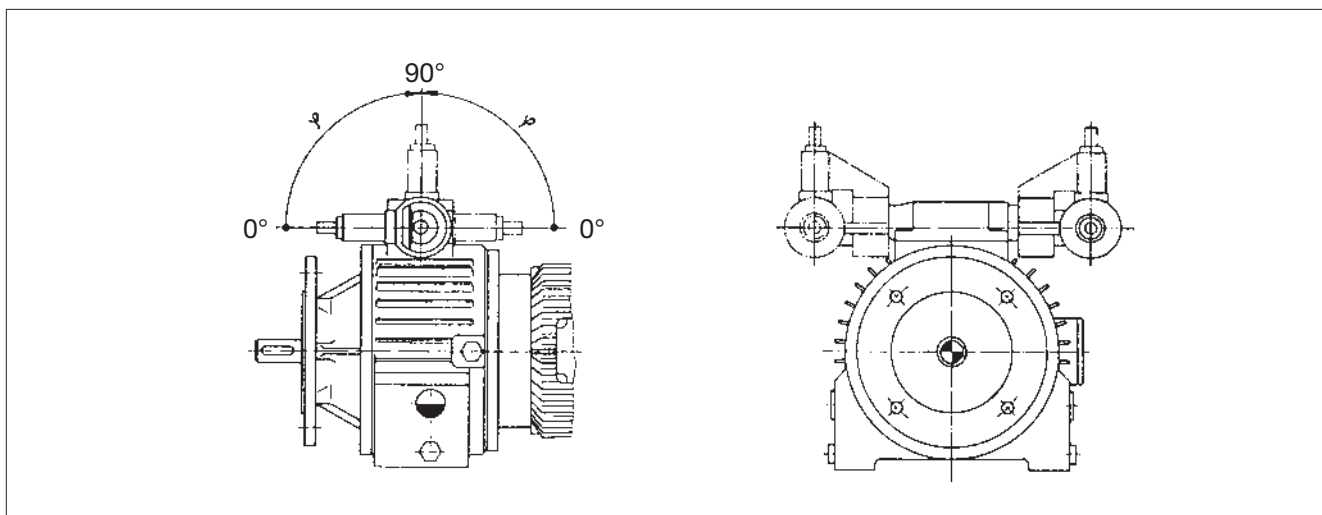
Speed adjustment units

Bevel gear adjustment (optionally)



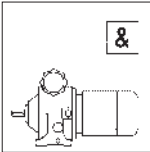
DISCO-size	a	b	c	d h8	e	f	g
02/03	75	22	94	8	116	46	16
04/05/06/07	93	18	127	10	157	56	19
18/08	107	21	173	15	203	73	26

Dimensions in [mm]



DISCO-size	Swivel range φ	
	Handwheel	Handwheel with position indicator $0^\circ \hat{=} \text{horizontal layout}$
02/03/04	90°	$0 - 45^\circ$
05/06/07	90°	$0 - 45^\circ$
18/08	$20 - 90^\circ$	$20 - 45^\circ$

Dimensions in [mm]



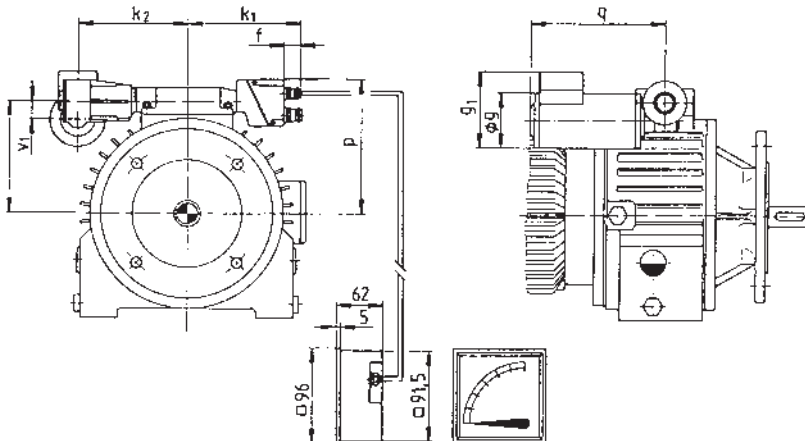
DISCO variable speed drives

Additional dimensions – attachments

Speed adjustment units

Electrical remote control (optionally)

Position Spindle box	Position adjustment unit			
	2	3	4	5
	Permissible terminal box position for main motor			
2		2-4-5		
3			2-3-4	
4				2-3-4
5	3-4-5			



DISCO-size	f	g	g ₁	k ₁	k ₂	p	q	v	v ₁
02	19	65	123	137	119	118	170	86	25
03						121		89	
04	19	85	144	152	153	139	199	107	31
05						159		127	
06	19	85	144	152	153	185	199	153	31
07									
18/08	19	118	164	190	243 ¹⁾	222	221	190	40

¹⁾ With slip clutch
Dimensions in [mm]