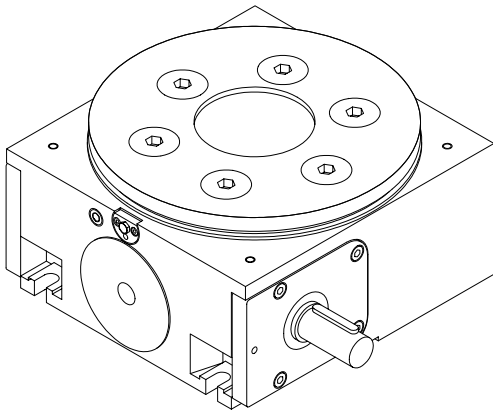
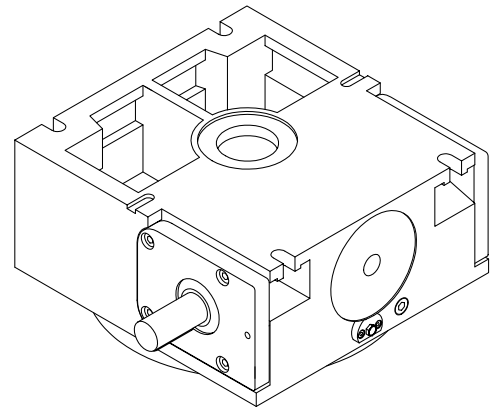


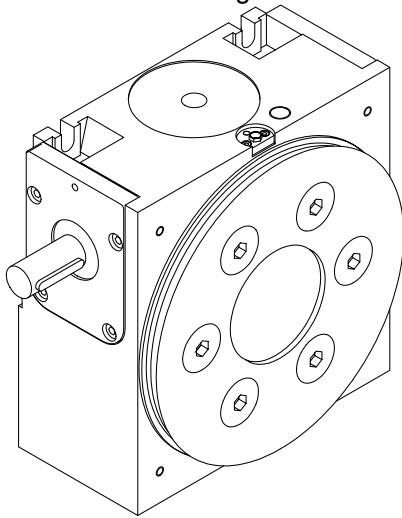
1.5.4 Installation positions



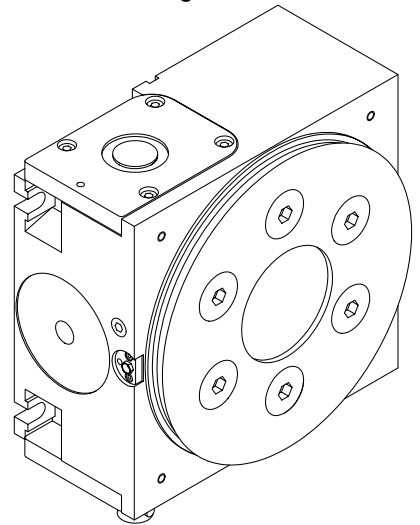
Surface A
Figure 10



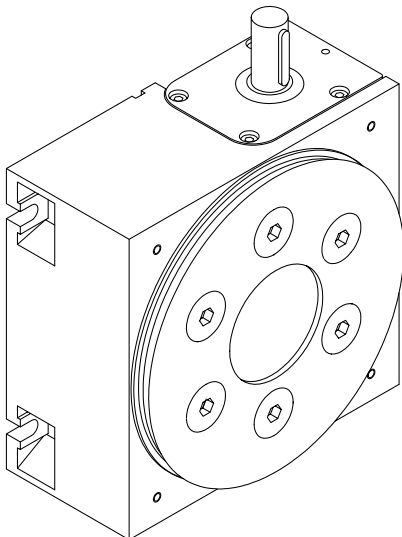
Surface B
Figure 11



Surface D
Figure 12



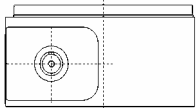
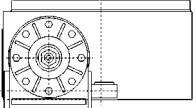
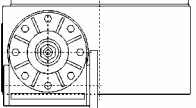
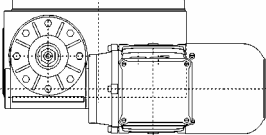
Surface E
Figure 13



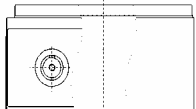
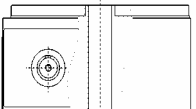
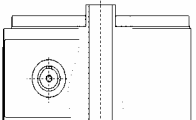
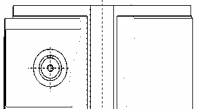
Surface F
Figure 14

Attention: In installation positions
A; E and F, surfaces
must be set back

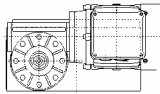
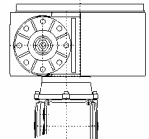
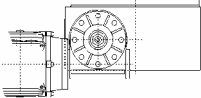
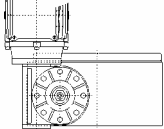
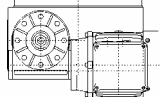
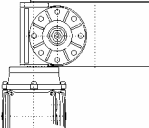
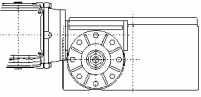
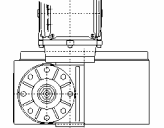
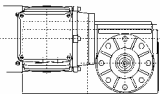
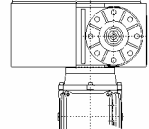
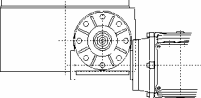
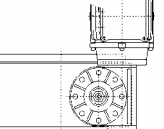
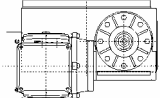
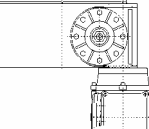
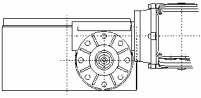
Versions

<input type="checkbox"/> GS with free input shaft 	<input type="checkbox"/> GU with reducer with free input shaft 	<input type="checkbox"/> GUF with reducer with motor flange 	<input type="checkbox"/> GM with geared motor <input type="checkbox"/> GB with geared brake motor 
---	--	--	---

Central tube models

<input type="checkbox"/> VS without central tube 	<input type="checkbox"/> VCT with fix central tube 	<input type="checkbox"/> VCP with fix central tube overcoming 	<input type="checkbox"/> VCR with rotary central tube 
--	--	--	---

Mounting position of reducer

on surfaces E	<input type="checkbox"/> 71 	<input type="checkbox"/> 72 	<input type="checkbox"/> 73 	<input type="checkbox"/> 74 
	<input type="checkbox"/> 75 	<input type="checkbox"/> 76 	<input type="checkbox"/> 77 	<input type="checkbox"/> 78 
on surfaces F	<input type="checkbox"/> 81 	<input type="checkbox"/> 82 	<input type="checkbox"/> 83 	<input type="checkbox"/> 84 
	<input type="checkbox"/> 85 	<input type="checkbox"/> 86 	<input type="checkbox"/> 87 	<input type="checkbox"/> 88 