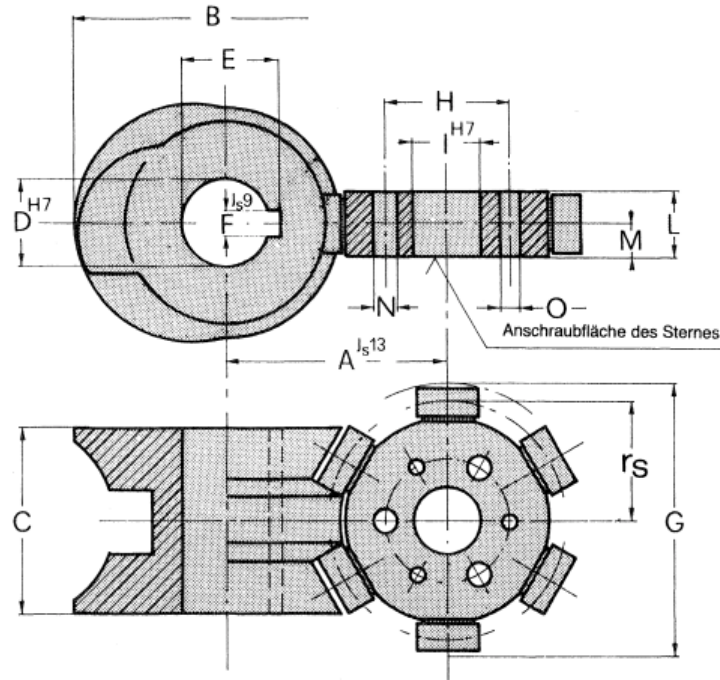


Abmessungen

alle Darstellungen in der Mitte einer Rast



Typ	A	Kurve					Stern										
		ØB	C	ØD	E	F	ØG	ØH	ØI	L	M	n	N Ø	n	O Ø	rs	
63- 1A 14T-330/23	63	88	60	25	28.3	8	70	40	20	20	10	3	5.3	3	4.5	29	
63- 2A 14T-180/3	63	68	60	25	28.3	8	70	40	20	20	10	3	5.3	3	4.5	29	
63- 2A 16T-210/3	63	88	60	25	28.3	8	77	40	20	20	10	3	5.3	3	4.5	31	
63- 2A 16T-240/3	63	88	60	25	28.3	8	77	40	20	20	10	3	5.3	3	4.5	31	
63- 2A 16T-270/3	63	88	60	25	28.3	8	77	40	20	20	10	3	5.3	3	4.5	31	
63- 2A 16T-300/3	63	88	60	25	28.3	8	77	40	20	20	10	3	5.3	3	4.5	31	
63- 3A 14T-120/3	63	88	60	25	28.3	8	70	40	20	20	10	3	5.3	3	4.5	29	
63- 3A 16T-150/3	63	88	60	25	28.3	8	77	40	20	20	10	3	5.3	3	4.5	31	
63- 3A 16T-180/3	63	88	60	25	28.3	8	77	40	20	20	10	3	5.3	3	4.5	31	
63- 3A 16T-210/3	63	88	60	25	28.3	8	77	40	20	20	10	3	5.3	3	4.5	31	
63- 3A 16T-240/3	63	88	60	25	28.3	8	77	40	20	20	10	3	5.3	3	4.5	31	
63- 3A 16T-270/3	63	88	60	25	28.3	8	77	40	20	20	10	3	5.3	3	4.5	31	
63- 4A 12T-120/3	63	76	52	25	28.3	8	75	40	20	20	10	4	5.3	4	4.5	32	
63- 4A 14T-150/3	63	68	56	25	28.3	8	82	40	20	20	10	4	5.3	4	4.5	35	
63- 4A 14T-180/2	63	68	56	25	28.3	8	82	40	20	20	10	4	5.3	4	4.5	35	
63- 4A 14T-210/2	63	68	56	25	28.3	8	82	40	20	20	10	4	5.3	4	4.5	35	
63- 4A 14T-240/2	63	68	56	25	28.3	8	82	40	20	20	10	4	5.3	4	4.5	35	
63- 4A 14T-270/2	63	68	56	25	28.3	8	82	40	20	20	10	4	5.3	4	4.5	35	
63- 4A 14T-315/3	63	68	56	25	28.3	8	82	40	20	20	10	4	5.3	4	4.5	35	
63- 5A 12T-180/2	63	64	48	25	28.3	8	82	40	20	20	10	5	5.3	5	4.5	36	
63- 5A 12T-210/1	63	64	48	25	28.3	8	82	40	20	20	10	5	5.3	5	4.5	36	
63- 5A 12T-240/1	63	64	48	25	28.3	8	82	40	20	20	10	5	5.3	5	4.5	36	
63- 5A 12T-270/1	63	64	48	25	28.3	8	82	40	20	20	10	5	5.3	5	4.5	36	
63- 6A 14T- 90/1	63	88	60	25	28.3	8	70	40	20	20	10	3	5.3	3	4.5	29	
63- 6A 16T-120/1	63	88	60	25	28.3	8	77	40	20	20	10	3	5.3	3	4.5	31	
63- 6A 16T-150/1	63	88	60	25	28.3	8	77	40	20	20	10	3	5.3	3	4.5	31	
63- 6A 16T-180/1	63	88	60	25	28.3	8	77	40	20	20	10	3	5.3	3	4.5	31	
63- 6A 16T-210/1	63	88	60	25	28.3	8	77	40	20	20	10	3	5.3	3	4.5	31	
63- 6A 16T-240/1	63	88	60	25	28.3	8	77	40	20	20	10	3	5.3	3	4.5	31	
63- 6A 16T-270/1	63	88	60	25	28.3	8	77	40	20	20	10	3	5.3	3	4.5	J1	
63- 8A 12T- 90/1	63	76	52	25	28.3	8	75	40	20	20	10	4	5.3	4	4.5	32	
63- 8A 14T-120/1	63	68	56	25	28.3	8	82	40	20	20	10	4	5.3	4	4.5	35	
63- 8A 14T-150/1	63	68	56	25	28.3	8	82	40	20	20	10	4	5.3	4	4.5	35	
63- 8A 14T-180/1	63	68	56	25	28.3	8	82	40	20	20	10	4	5.3	4	4.5	35	
63- 8A 14T-210/1	63	68	56	25	28.3	8	82	40	20	20	10	4	5.3	4	4.5	35	
63- 8A 14T-240/1	63	68	56	25	28.3	8	82	40	20	20	10	4	5.3	4	4.5	35	
63- 8A 14T-270/1	63	68	56	25	28.3	8	82	40	20	20	10	4	5.3	4	4.5	35	

