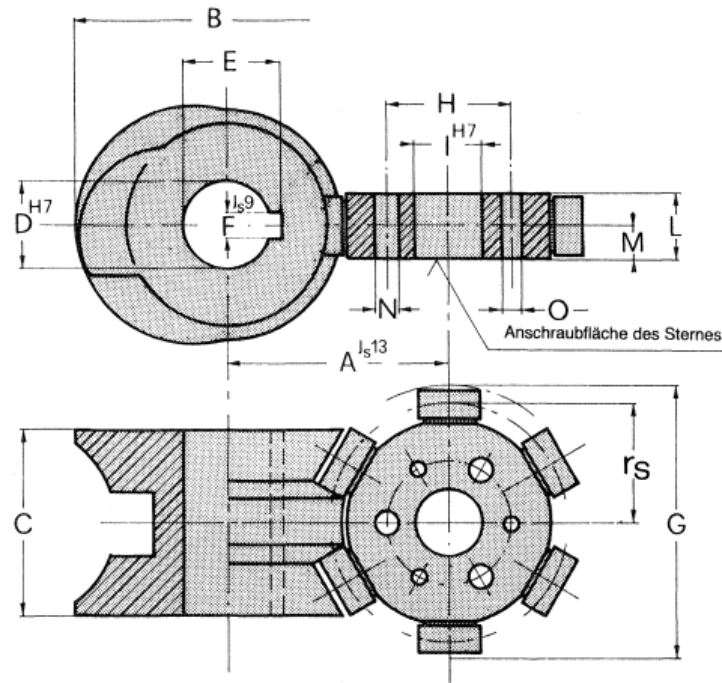


## Abmessungen

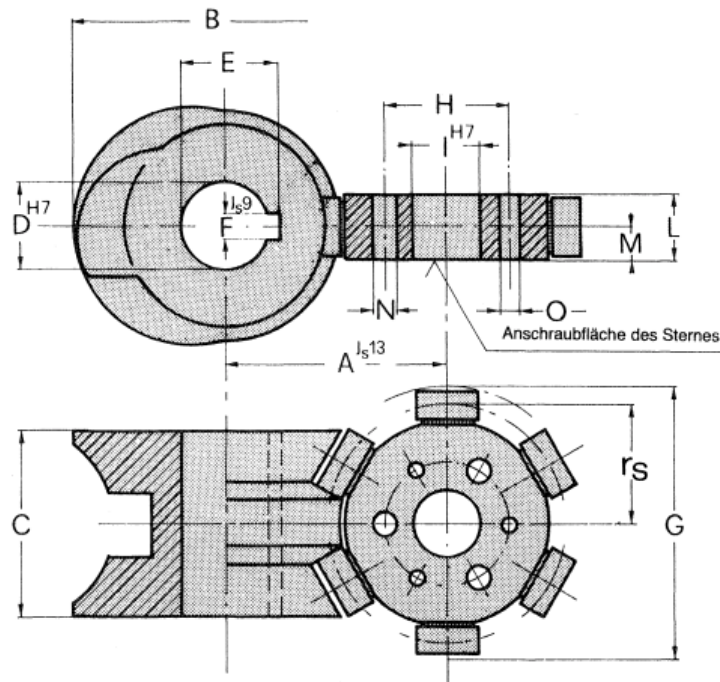
alle Darstellungen in der Mitte einer Rast



Typ	A	Kurve					Stern									
		ØB	C	ØD	E	F	ØG	ØH	ØI	L	M	n	N Ø	n	O Ø	r <sub>s</sub>
200- 1A 47T-330/23	200	284	150	60	64.4	18	212	90	70	45	20	3	15.0	3	13.5	90
200- 2A 47T-180/3	200	278	142	60	64.4	18	212	90	70	45	20	3	15.0	3	13.5	90
200- 2A 52T-210/3	200	268	156	60	64.4	18	231	90	70	50	25	3	15.0	3	13.5	99
200- 2A 52T-240/3	200	268	156	60	64.4	18	231	90	70	50	25	3	15.0	3	13.5	99
200- 2A 62T-270/3	200	256	160	60	64.4	18	250	90	70	55	25	3	15.0	3	13.5	105
200- 2A 62T-300/3	200	248	174	60	64.4	18	268	90	70	55	25	3	15.0	3	13.5	114
200- 3A 47T-120/3	200	278	142	60	64.4	18	212	90	70	45	20	3	15.0	3	13.5	90
200- 3A 52T-150/3	200	268	156	60	64.4	18	231	90	70	50	25	3	15.0	3	13.5	99
200- 3A 62T-180/3	200	256	160	60	64.4	18	250	90	70	55	25	3	15.0	3	13.5	105
200- 3A 62T-210/3	200	248	174	60	64.4	18	268	90	70	55	25	3	15.0	3	13.5	114
200- 3A 72T-240/3	200	238	170	60	64.4	18	270	90	70	60	30	3	15.0	3	13.5	114
200- 3A 72T-270/3	200	238	170	60	64.4	18	270	90	70	60	30	3	15.0	3	13.5	114
200- 4A 35T- 90/3	200	248	120	60	64.4	18	214	90	70	.35	15	4	15.0	4	13.5	95
200- 4A 40T-120/3	200	236	124	60	64.4	18	230	90	70	40	20	4	15.0	4	13.5	102
200- 4A 47T-150/3	200	218	132	60	64.4	18	251	90	70	45	20	4	15.0	4	13.5	110
200- 4A 40T-180/2	200	236	128	60	64.4	18	230	90	70	40	20	4	15.0	4	13.5	102
200- 4A 47T-210/2	200	218	132	60	64.4	18	251	90	70	45	20	4	15.0	4	13.5	110
200- 4A 52T-240/2	200	208	138	60	64.4	18	268	90	70	50	25	4	15.0	4	13.5	118
200- 4A 52T-270/2	200	208	138	60	64.4	18	268	90	70	50	25	4	15.0	4	13.5	118
200- 4A 62T-315/3	200	214	150	60	64.4	18	277	130	70	55	25	4	15.0	4	13.5	119
200- 5A 281- 90/2	200	246	90	60	64.4	18	197	90	70	30	15	5	15.0	5	13.5	89
200- 5A 321-120/2	200	228	98	60	64.4	18	217	90	70	30	15	5	15.0	5	13.5	98
200- 5A 351-150/2	200	214	106	60	64.4	18	235	90	70	35	15	5	15.0	5	13.5	106
200- 5A 40T-180/2	200	198	112	60	64.4	18	256	90	70	40	20	5	15.0	5	13.5	115
200- 5A 40T-210/1	200	198	112	60	64.4	18	256	90	70	40	20	5	15.0	5	13.5	115
200- 5A 40T-240/1	200	198	112	60	64.4	18	256	90	70	40	20	5	15.0	5	13.5	115
200- 5A 40T-270/1	200	198	112	60	64.4	18	256	90	70	40	20	5	15.0	5	13.5	115
200- 6A 47T- 90/1	200	278	142	60	64.4	18	212	90	70	45	20	3	15.0	3	13.5	90
200- 6A 52T-120/1	200	268	156	60	64.4	18	231	90	70	50	25	3	15.0	3	13.5	99
200- 6A 62T-150/1	200	256	160	60	64.4	18	250	90	70	55	25	3	15.0	3	13.5	105
200- 6A 62T-180/1	200	248	174	60	64.4	18	268	90	70	55	25	3	15.0	3	13.5	114
200- 6A 72T-210/1	200	238	170	60	64.4	18	270	90	70	60	30	3	15.0	3	13.5	114
200- 6A 72T-240/1	200	238	170	60	64.4	18	270	90	70	60	30	3	15.0	3	13.5	114
200- 6A 80T-270/1	200	228	154	60	64.4	18	269	130	70	60	30	3	15.0	3	13.5	109
200- 8A 40T- 90/1	200	236	128	60	64.4	18	230	90	70	40	20	4	15.0	4	13.5	102
200- 8A 47T-120/1	200	218	132	60	64.4	18	251	90	70	45	20	4	15.0	4	13.5	110
200- 8A 52T-150/1	200	208	138	60	64.4	18	268	90	70	50	25	4	15.0	4	13.5	118
200- 8A 52T-180/1	200	208	138	60	64.4	18	268	90	70	50	25	4	15.0	4	13.5	118
200- 8A 62T-210/1	200	196	132	60	64.4	18	277	130	70	55	25	4	15.0	4	13.5	119
200- 8A 62T-240/1	200	196	132	60	64.4	18	277	130	70	55	25	4	15.0	4	13.5	119
200- 8A 62T-270/1	200	196	132	60	64.4	18	277	130	70	55	25	4	15.0	4	13.5	119

## Abmessungen

alle Darstellungen in der Mitte einer Rast



Typ	A	Kurve					Stern									
		ØB	C	ØD	E	F	ØG	ØH	ØI	L	M	n	N Ø	n	O Ø	r <sub>s</sub>
200-10A 35T- 90/1	200	214	106	60	64.4	18	235	90	70	35	15	5	15.0	5	13.5	106
200-10A 40T-120/1	200	198	112	60	64.4	18	256	90	70	40	20	5	15.0	5	13.5	115
200-10A 47T-150/1	200	176	120	60	64.4	18	283	90	70	45	20	5	15.0	5	13.5	126
200-10A 47T-180/1	200	174	118	60	64.4	18	283	90	70	45	20	5	15.0	5	13.5	126
200-10A 52T-210/1	200	168	114	60	64.4	18	286	90	70	50	25	5	15.0	5	13.5	127
200-10A 52T-240/1	200	168	114	60	64.4	18	286	90	70	50	25	5	15.0	5	13.5	127
200-10A 52T-270/1	200	168	114	60	64.4	18	286	90	70	50	25	5	15.0	5	13.5	127
200-12A 32T- 90/1	200	194	94	50	53.8	14	247	90	70	35	15	3	15.0	3	13.5	113
200-12A 35T-120/1	200	174	100	50	53.8	14	269	90	70	35	15	3	15.0	3	13.5	123
200-12A 40T-150/1	200	157	104	50	53.8	14	286	90	70	40	20	3	15.0	3	13.5	130
200-12A 40T-180/1	200	157	104	50	53.8	14	286	90	70	40	20	3	15.0	3	13.5	130
200-12A 40T-210/1	200	157	104	50	53.8	14	286	90	70	40	20	3	15.0	3	13.5	130
200-12A 47T-240/1	200	165	90	50	53.8	14	285	90	70	45	20	3	15.0	3	13.5	127
200-12A 47T-270/1	200	165	90	50	53.8	14	285	90	70	45	20	3	15.0	3	13.5	127
200-16A 28T- 90/1	200	166	74	50	53.8	14	265	90	70	35	15	4	15.0	4	13.5	123
200-16A 32T-120/1	200	143	82	50	53.8	14	291	90	70	35	15	4	15.0	4	13.5	135
200-16A 32T-150/1	200	143	82	50	53.8	14	291	90	70	35	15	4	15.0	4	13.5	135
200-16A 35T-180/1	200	125	84	50	53.8	14	314	90	70	35	15	4	15.0	4	13.5	145
200-16A 35T-210/1	200	125	84	50	53.8	14	314	90	70	35	15	4	15.0	4	13.5	145
200-16A 35T-240/1	200	125	84	50	53.8	14	314	90	70	35	15	4	15.0	4	13.5	145
200-16A 35T-270/1	200	125	84	50	53.8	14	314	90	70	35	15	4	15.0	4	13.5	145
200-20A 24T- 90/1	200	152	64	40	43.3	12	278	90	70	30	15	5	15.0	5	13.5	130
200-20A 26T-120/1	200	132	68	40	43.3	12	299	90	70	35	15	5	15.0	5	13.5	140
200-20A 28T-150/1	200	132	68	40	43.3	12	299	90	70	35	15	5	15.0	5	13.5	140
200-20A 30T-180/1	200	116	68	40	43.3	12	319	90	70	35	15	5	15.0	5	13.5	149
200-20A 32T-210/1	200	116	68	40	43.3	12	319	90	70	35	15	5	15.0	5	13.5	149
200-20A 32T-240/1	200	116	68	40	43.3	12	319	90	70	35	15	5	15.0	5	13.5	149
200-20A 32T-270/1	200	116	68	40	43.3	12	319	90	70	35	15	5	15.0	5	13.5	149
200-24A 19T- 90/1	200	142	56	40	43.3	12	287	90	70	25	10	3	15.0	3	13.5	135
200-24A 24T-120/1	200	122	56	40	43.3	12	308	90	70	30	15	3	15.0	3	13.5	145
200-24A 24T-150/1	200	122	56	40	43.3	12	308	90	70	30	15	3	15.0	3	13.5	145
200-24A 26T-180/1	200	96	60	40	43.3	12	335	90	70	35	15	3	15.0	3	13.5	158
200-24A 26T-210/1	200	96	60	40	43.3	12	335	90	70	35	15	3	15.0	3	13.5	158
200-24A 28T-240/1	200	96	60	40	43.3	12	335	90	70	35	15	3	15.0	3	13.5	158
200-24A 28T-270/1	200	96	60	40	43.3	12	335	90	70	35	15	3	15.0	3	13.5	158