

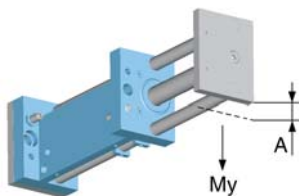
Linear cylinder

Advantages, benefits, comparisons and tips!
Stacks of information all about this product on page 325.

Order no.:				
L140-40	L140-90			
Stroke [mm]:				
39,5	89,5			
Extension force, max. [N]:				
450	450			
Retraction force, max. [N]:				
270	270			
Air consumption, per cycle [cm ³]:				
50	117			
Min./max. operating temperature [°C]:				
5 / 80	5 / 80			
Temp. resistant version up to 150°C [addition when ordering]:				
T2	T2			
Weight [kg]:				
0,74	1,07			

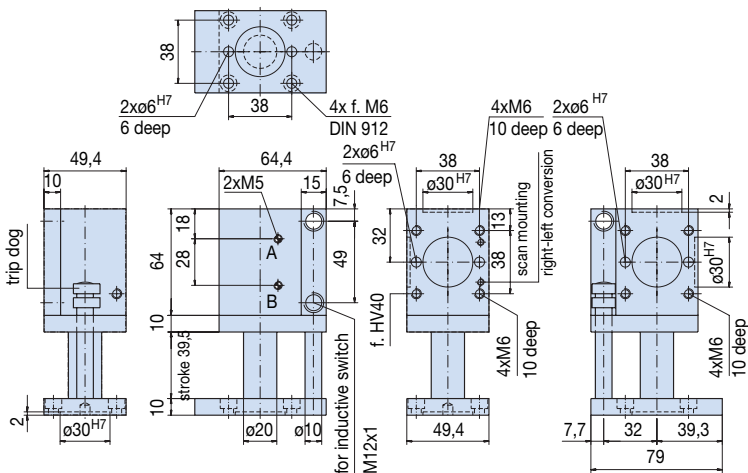
All data measured at 6 bar.

Max Allowable Forces

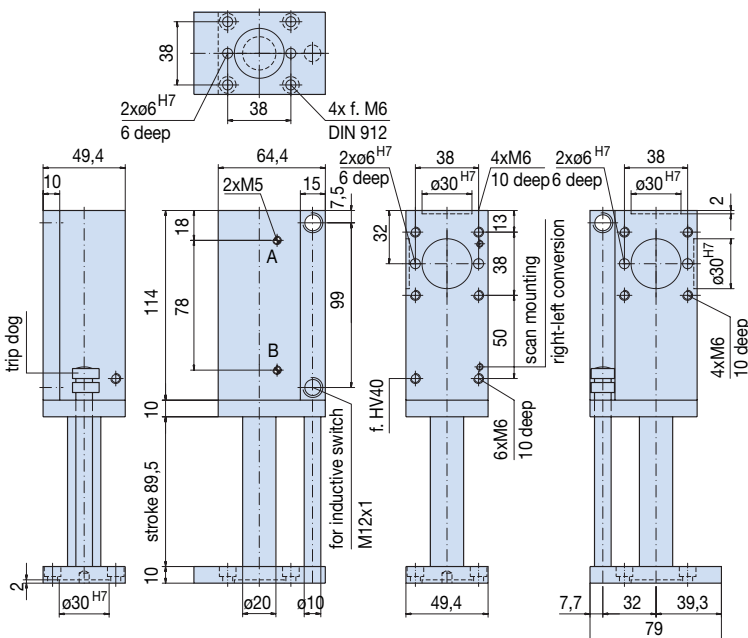


Order no.:				
L140-40	L140-90			
Load My max. [N]:				
80	30			
Deflection A max. [mm]:				
0,05	0,05			

See Page 325 for Accessory list.



L140-40



L140-90