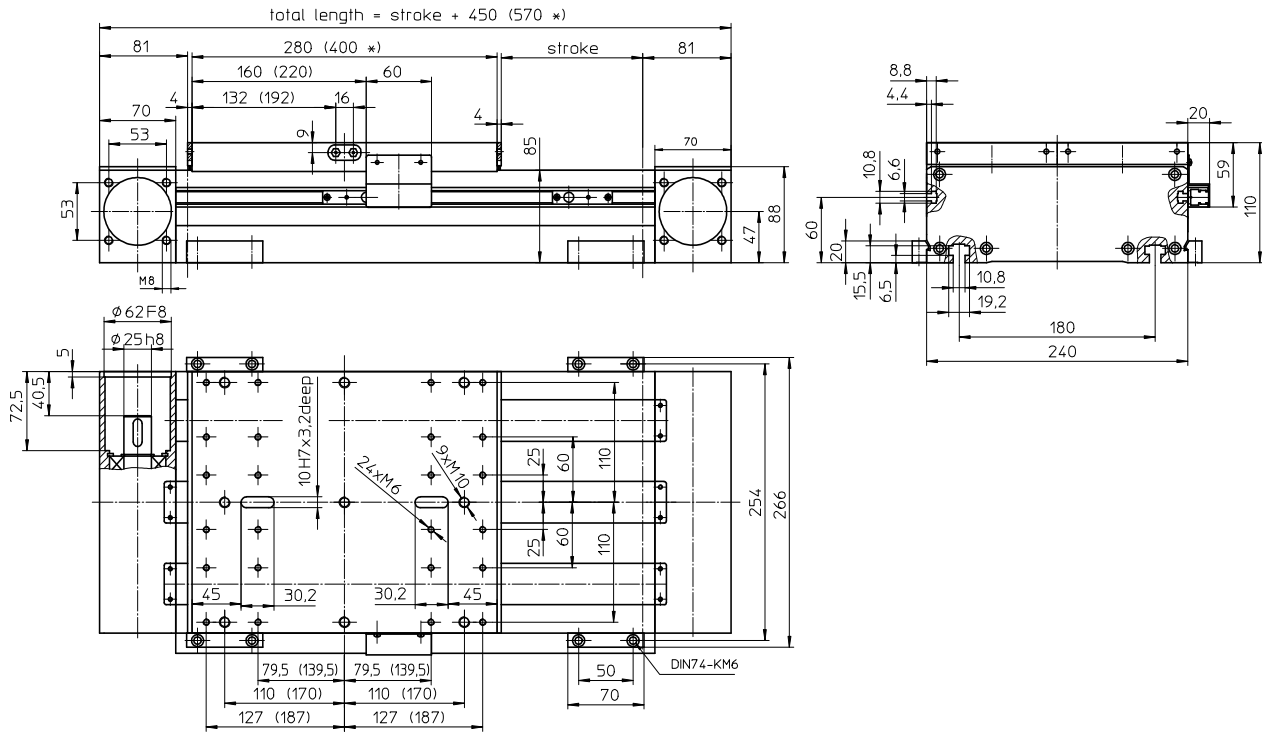


with tooth belt drive and integrated double linear guide



Weights

Basic length, no stroke:
 100 mm stroke:
 Carriage:
 Mass inertia:

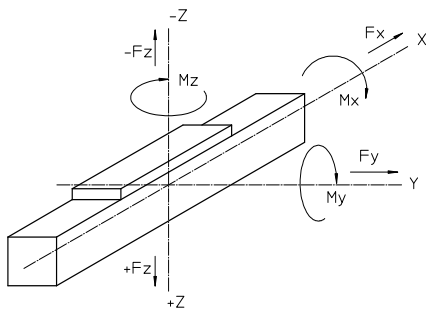
ZSS

27.00 kg
 3.20 kg
 9.80 kg
 0.020 kgm²

Technical data

Linear speed: max. 5 m/s
 Repeatability: ± 0.08 mm
 Acceleration: max. 60 m/s²
 Idle torque: 3.5 Nm
 Drive element: tooth belt 50 AT10-E
 Stroke per revolution: 150 mm
 Total length: up to 4000 mm (longer on request)

Loads and load moments



Type	with linear guide (ZSS)
Load	dynamic [N]
Fx	3000
Fy	6000
Fz	12000
-Fz	8000
Load moment	dynamic [Nm]
Mx	4500
My	6000
Mz	4500

* data in () refers to 400 mm long carriage