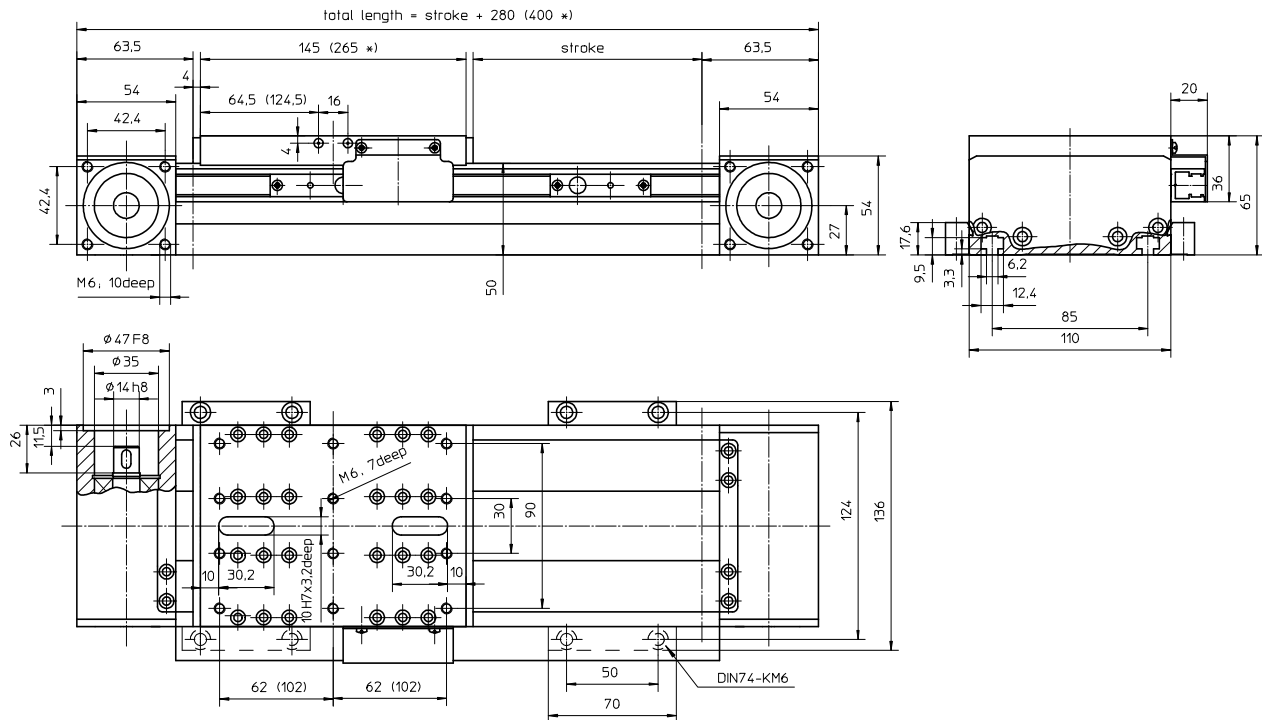


with tooth belt drive and integrated double linear guide



Weights

Basic length, no stroke:
 100 mm stroke:
 Carriage:
 Mass inertia:

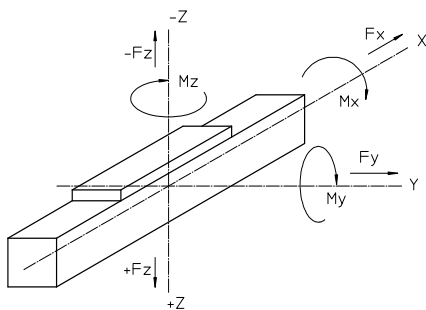
ZSS

6.80 kg
 1.00 kg
 2.80 kg
 0.0003 kgm²

Technical data

Linear speed: max. 5 m/s
 Repeatability: ± 0.08 mm
 Acceleration: max. 40 m/s²
 Idle torque: 1.6 Nm
 Drive element: tooth belt 25 AT5
 Stroke per revolution: 90 mm
 Total length: up to 1500 mm

Loads and load moments



Type	with linear guide (ZSS)
Load	dynamic [N]
Fx	1000
Fy	1200
Fz	3000
-Fz	1500
Load moment	dynamic [Nm]
Mx	500
My	650
Mz	650

* data in () refers to 265 mm long carriage