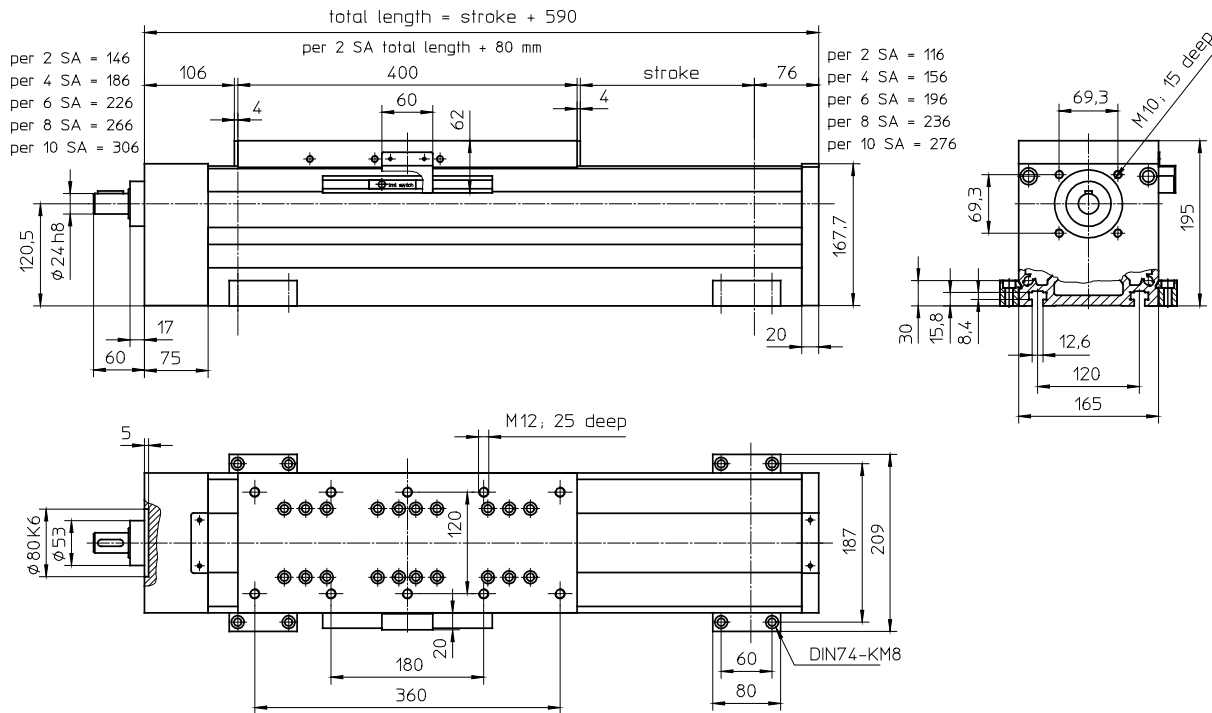


with ball screw, trapezoidal screw and integrated linear guide



Weights

Basic length, no stroke:
 100 mm stroke:
 Carriage:
 Idle torque:

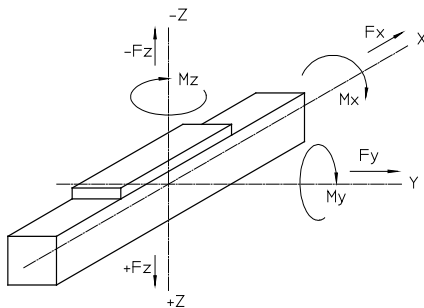
SSS

37.90 kg
 4.20 kg
 11.50 kg
 3.00 Nm

Technical data

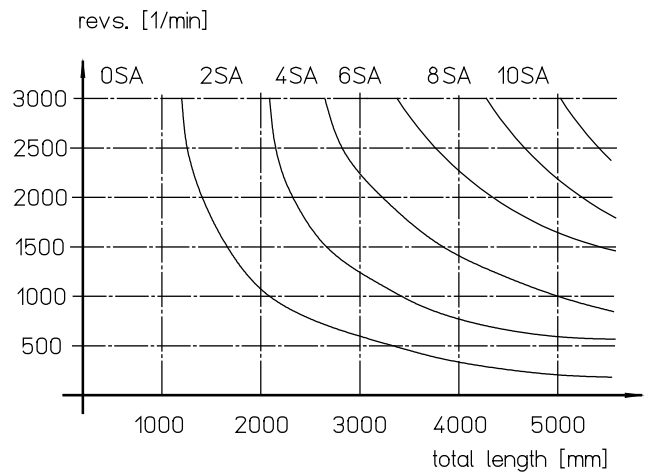
Linear speed: 0.1 – 2 m/s **
 Repeatability: ± 0.03 mm (ball screw)
 Acceleration: max. 20 m/s²
 Mass inertia: 13 kgcm²/m
 Drive element: **ball screw drive:**
 diameter: 40 mm
 pitch: 5, 10, 20, 40 mm
trapezoidal screw:
 diameter: 40 mm
 pitch: 7 mm
 Total length: up to 5500 mm (longer on request)

Loads and load moments



Type	with linear guide (SSS)
Load	dynamic [N]
Fx **	18000
Fy	5000
Fz	15000
-Fz	8000
Load moment	dynamic [Nm]
Mx	700
My	1400
Mz	1100

Screw supports (SA)



** max. data for ball screw 4010