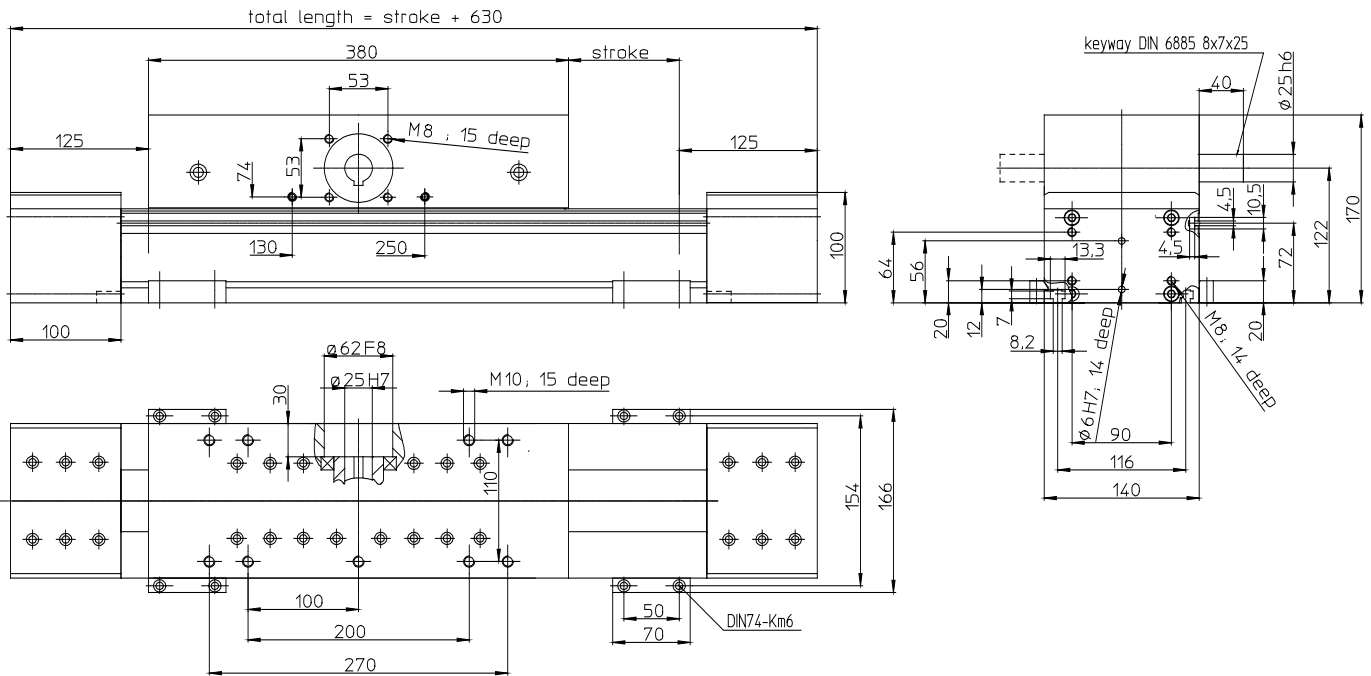


Mechanical Linear Drive Beta 140 - ARS - ASS

15.10.2002

with tooth belt drive, roller guideway or integrated double linear guide



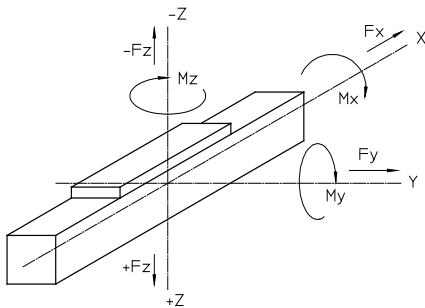
Weights

	ARS	ASS
Basic length, no stroke:	28.00 kg	30.00 kg
100 mm stroke:	1.20 kg	1.50 kg
Carriage:	13.00 kg	14.00 kg
Mass inertia:	0.035 kgm ²	0.037 kgm ²

Technical data

Linear speed:	max. 8 m/s
Repeatability:	± 0.08 mm
Acceleration:	max. 60 m/s ²
Idle torque:	3.5 Nm
Drive element:	tooth belt 50 AT 10
Stroke per revolution:	300 mm
Total length:	up to 8100 mm (longer on request)

Loads and load moments



Type	with roller guideway (ARS)	with linear guide (ASS)
Load	dynamic [N]	dynamic [N]
Fx	4000	4000
Fy	2500	2500
Fz	5000	6000
-Fz	3000	4000
Load moment	dynamic [Nm]	dynamic [Nm]
Mx	350	500
My	700	1000
Mz	700	1000