



Telescopic drive TELESMA RT

TXG

Technical data:	Type	TXG9	TXG8	TXG5	TXG4	TXG1
Version		Stand-Alone	Stand-Alone	Stand-Alone	Stand-Alone	Slave
Push force (max.)*	N	1500	1500	1500	1500	1500
Speed	mm/s	17–23	17–23	17–23	17–23	17–23
Stroke (in step of 100)	mm	200–600	200–600	200–600	200–600	200–600
Block height, 2 x	mm	380–780	380–780	380–780	380–780	380–780
Voltage	V/Hz	230/50	230/50	120/50/60	120/50/60	24DC
Current consumption	A	0,9	0,9	1,8	1,8	5
Duty cycle: Intermittent mode	Int.	1/9	1/9	1/9	1/9	1/9
Ambient temperature	°C	+10/+40	+10/+40	+10/+40	+10/+40	+10/+40
Protection/Insulation Class	IP	30/I	30/II	30/I	30/II	30/-
Weight	kg	9–14	9–14	9–14	9–14	8–13

* See Load diagrams on page 2

Description

TELESMA RT lifting columns consist of two design aluminium profiles, one inside the other, which are extended and retracted by means of an integrated linear actuator.

The outer surface of the stylish aluminium profile is matt anodised. The no-play sliding devices ensure the profiles can be extended and retracted without friction, even in the case of eccentric loads. TELESMA RT lifting columns have been designed to handle compressive loads.

The actuator takes the form of a DC motor with worm gear, whose rotary motion is converted into a linear motion by means of a spindle nut system. The linear actuator is self-locking in every orientation and has been designed for intermittent operation. A thermal link is installed to protect the actuator against overheating and will trip in the event of an overload. Actuators which have no mains connection („slave“) are protected against overload by means of a suitable control unit or master-actuator. The stroke is limited by the integrated limit switches at the terminal positions.

Both ends of the column can be used for power supply and control purposes.

Control

The control unit for the TELESMA RT lifting column is integrated into the actuator. There is therefore no need for any additional control unit to be fitted externally. An integrated microprocessor control unit is also available as an optional extra which can be used for up to two actuators working in parallel and/or for memory functions.

Electrical connection

There are 3 different TELESMA RT models.

- Protection class II (standard)
- Protection class I with feedthrough power cable and protective conductors (max. 6A, 250V/50–60Hz)(optional)
- 24 V DC version (optional)

The electrical connections are labelled on the actuator. Simply connect the power cable and control cable to the appropriate connectors.

Electrical cordsets must be laid and secured so as to prevent any damage caused by crushing, bending or tension.

Control devices

A number of cutting-edge desk, hand or foot switches are available for controlling the TELESMA RT lifting column.

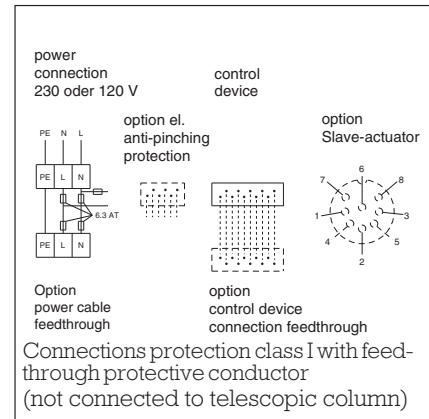
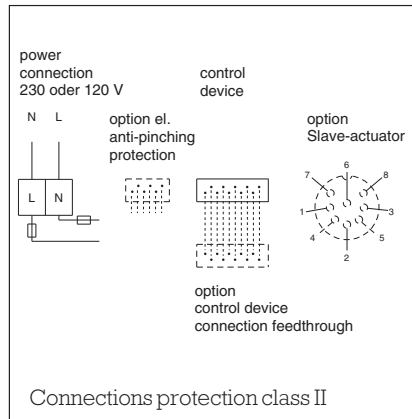
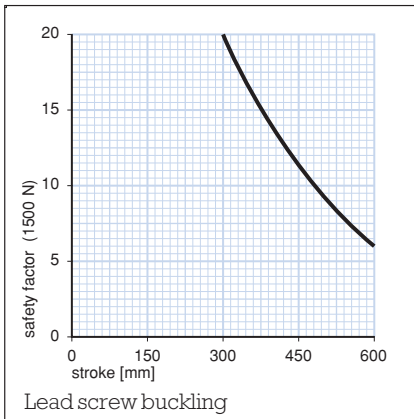
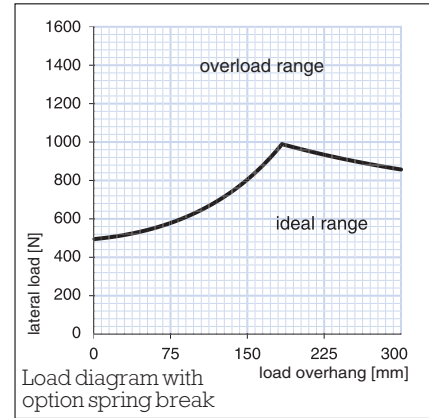
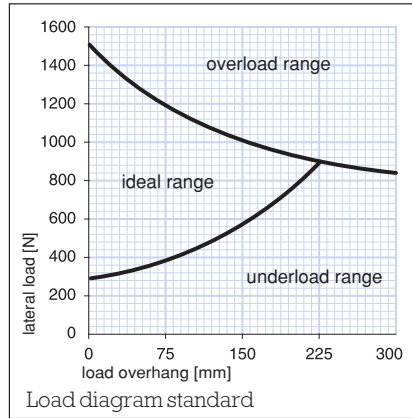
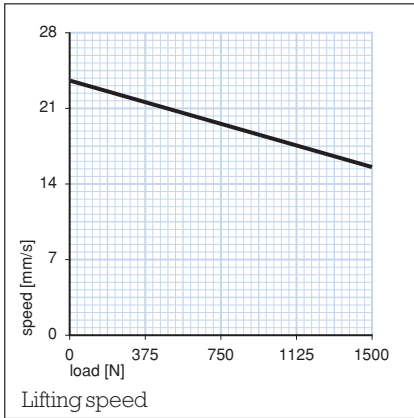
We recommend the following Magnetic control devices:

- COMFODESK foot switch
Type: STF01-0V3000-0000
Type: STF02-0V3000-0000
Type: STF03-0V3000-3700
- COMFODESK desk switch
Type: STA01-WV6MAU-X100
(for use without memory)
Type: STA03-WV6MAU-3700
(for use with memory)
- ECOMAG hand switch
Type: EHE11-1110B-000
(for use without memory)

Installation

The TELESMA RT lifting column is secured to the moving construction elements at the top and bottom of the telescopic column using 4 M6x40 bolts (DIN 7500) in each case, tightening torque 10 Nm. The bolts are screwed in to a minimum of 25 mm.

TELESMA RT lifting columns can be mounted either directly or by using 10 mm-thick aluminium fastening plates which are available as optional extras. More information concerning the installation you'll find in the Technical Instructions.



Note:

- The total load in parallel operation must not exceed the maximum load of a single TELES MART lifting column.
- If fastening plates are not used, the auxiliary plates on the TELES MART must be supported over their entire area.
- If the user uses his own fastening plates, these must be drilled in accordance with the dimension drawing.
- The auxiliary plate is screw-connected and must not be removed.
- Where loads are eccentric, adhere to the lifting force diagram or contact the manufacturer.
- At the terminal position, there is a risk of crushing between the fastening plate and the end of the tube.
- The Technical Manual must be observed when putting the unit into service.

Maintenance

During its service life the TELES MART requires no maintenance. The service life depends on type and application. Faulty actuators may only be opened and repaired at our factory.

Options

The TELES MART lifting column can be supplied with the following additional functions:

- Control device connection feedthrough
- Power cable feedthrough
- Connection for external electrical anti-pinch protection
- Parallel operation for 2 actuators
- Memory functions
- Encoder
- Customer-specific choice of colours

Accessories

- Country-specific power cables
- Fastening plates (aluminium)

