

# Dual Motor Telescoping Column - Telemag TLT

Complimenting the already known product range of Magnetic telescoping columns in AC/DC technology, Magnetic proudly presents the new dual motor TELEMAG TLT.

These powerful and fast telescoping columns are equipped with two spindle motors. The dual motor TLT is available with nominal loads up to 4000 N and a push speed up to 42 mm/sec.

The TELEMAG TLT is extremely well suited for applications with small retracted lengths and great push forces. The new control unit KOM3T is custom made for the TLT and is equipped with a current limit board to stop the drive, if necessary, in the end positions as well as at excessiv loads. The actuators are operated by the wide range of remotes from our sales program.

TELEMAG telescoping columns have successfully proven their worth in medical, furniture, ergonomic as well as in industrial applications during years of use. For further information, please do not hesitate to contact us.

Accessories and options:

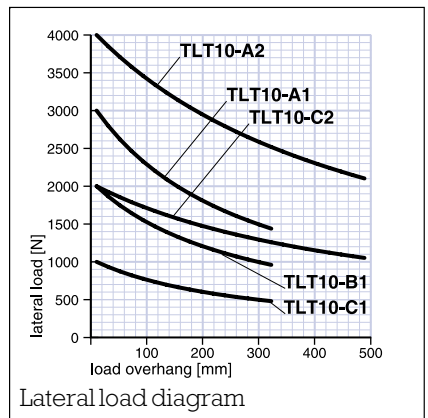
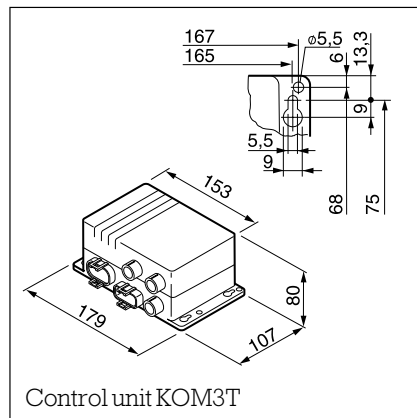
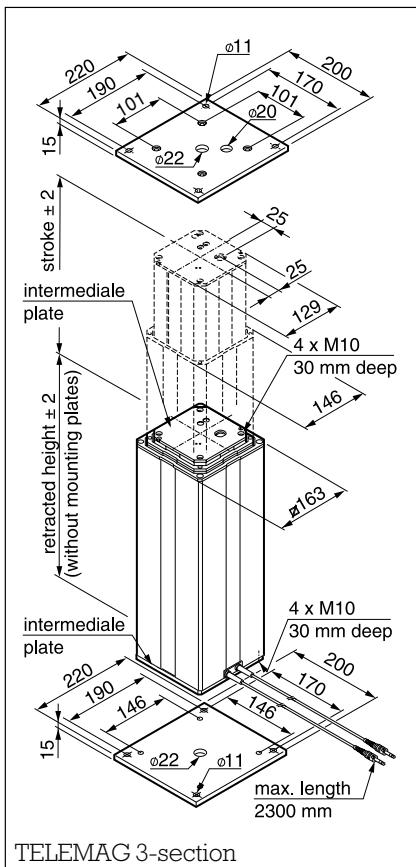
- hall encoder 8 pulses/rev.
- integrated current cut-off
- mounting plates

Subject to technical modifications.

Technical data:	Type	TLT10-C1	TLT10-B1	TLT10-C2	TLT10-A1	TLT10-A2*
Push force (max.)	N	1000	2000	2000	3000	4000
Speed	mm/s	25 - 36	13 - 19	25 - 42	11 - 16	13 - 19
Stroke	mm	300 - 700	300 - 700	300 - 700	300 - 700	300 - 700
Retracted lengths 3-section	mm	320 - 520	320 - 520	390 - 590	320 - 520	390 - 590
Voltage	VDC	24	24	24	24	24
Current consumption	A	2 x 4A	2x4A	2x4,5A	2x3,5A	2x3,5A
Duty cycle: intermittent operation	Int.	1 / 9	1 / 9	1 / 9	1 / 9	1 / 9
Ambient temperature	oC	+ 10 / + 40	+ 10 / + 40	+ 10 / + 40	+ 10 / + 40	+ 10 / + 40
Protection class	IP	40	40	40	40	40
Weight	kg	15 - 30	15 - 30	15 - 30	15 - 30	15 - 30

1 mm  $\approx$  0,03937 inch

\*A2 units have a three times static safety factor for strokes 600 & 700 mm



Stroke and retracted lengths:

Type	Stroke mm/inch	Retracted length mm/inch
TLT1.-.13..	300/11,81	320/12,60
TLT1.-.14..	400/15,75	370/14,57
TLT1.-.15..	500/19,69	420/16,54
TLT1.-.16..	600/23,62	470/18,51
TLT1.-.17..	700/27,56	520/20,48

Type	Stroke mm/inch	Retracted length mm/inch
TLT1.-.23..	300/11,81	390/15,35
TLT1.-.24..	400/15,75	440/17,32
TLT1.-.25..	500/19,69	490/19,29
TLT1.-.26..	600/23,62	540/21,26
TLT1.-.27..	700/27,56	590/23,23