

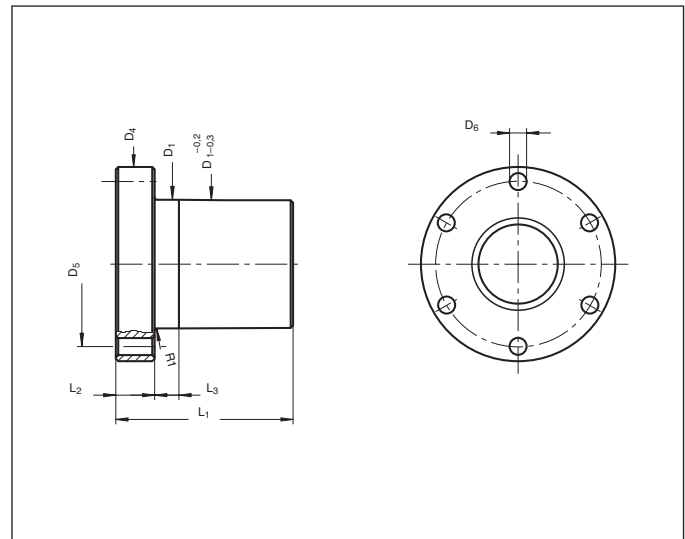
Accessories

Trapezoidal screw nuts

Preassembled bronze nut EFM

For drive units in continuous operation with particularly good wear properties. Can be used as safety nut; „sea water resistant“ in combination with stainless screws. EFM nuts have the same dimensions as ball screw nuts KGF-N and can therefore be fitted together with the nut mountings KON-N and KAR-N (see Accessories).

Material:
G-CuSn 7 ZnPg (Rg 7)
 $\sigma_B = 269 \text{ N/mm}^2$; HB 10 = 75



Size	Product/Size	Dimensions [mm]								
		D1	D4	D5	6xD6	L1	L2	L3	L4	L5
MULI 1	EFM Tr 18 x 4	28	48	38	6	44	12	8	15	20
MULI 2	EFM Tr 20 x 4	32	55	45	7	44	12	8	15	20
MULI 3	EFM Tr 30 x 6	38	62	50	7	46	14	8	20	25
MULI 4	EFM Tr 40 x 7	63	95	78	9	73	16	10	20	25
MULI 5	EFM Tr 55 x 9	72	110	90	11	97	18	10	20	25
JUMBO 1	EFM Tr 60 x 9	85	125	105	11	99	20	10	20	25
JUMBO 2	EFM Tr 70 x 10	95	180	140	17	100	30	16	20	25
JUMBO 3	EFM Tr 80 x 10	105	190	150	17	110	30	16	20	25
JUMBO 4	EFM Tr 100 x 10	130	240	185	25	130	35	16	20	30
JUMBO 5	EFM Tr 120 x 14	160	300	230	28	160	40	20	20	35

Adapter for attachment of the second bellows

Version R only

