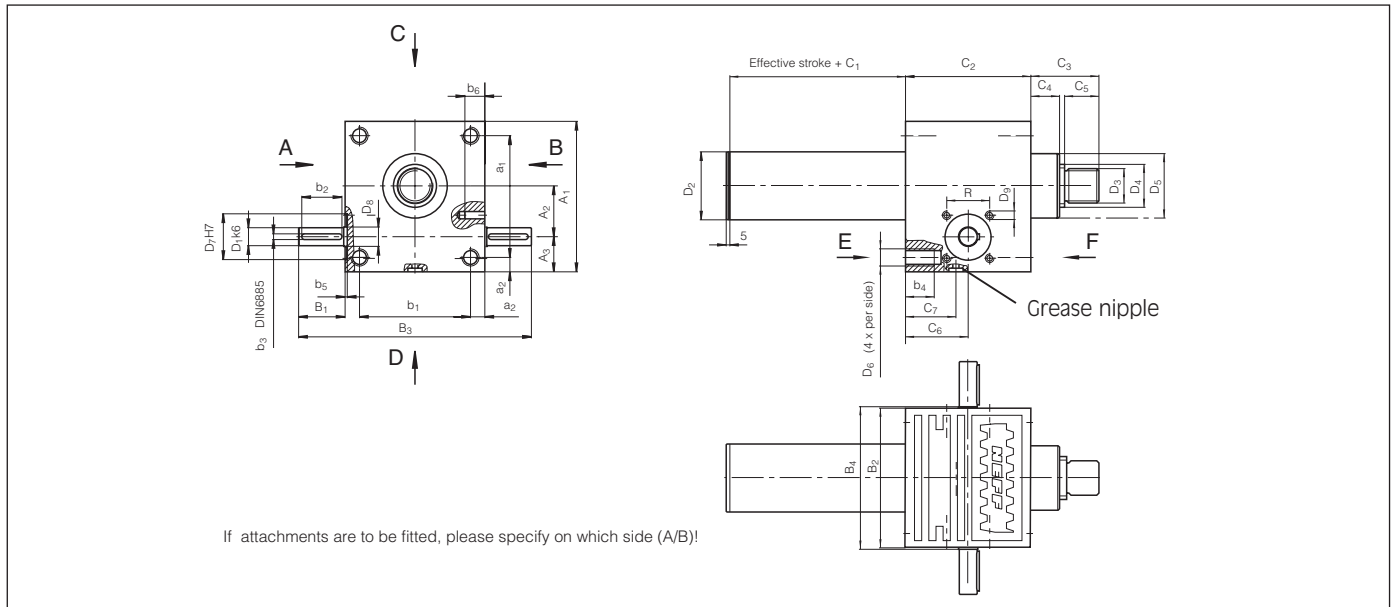


# Technical data

## Dimensions, versions N, V



Size	Dimensions [mm]																
	A1	A2	A3	a1	a2	B1	B2	B3	B4	b1	b2	b3	b4	b5	C1	C2	C3 <sup>1)</sup>
MULI 1	80	25	24	60	10	24	72	120	77	52	18	3	13	1.5	20	62	35(46)
MULI 2	100	32	28	78	11	27.5	85	140	90	63	20	5	15	1.5	30	75	45(48.5)
MULI 3	130	45	31	106	12	45	105	195	110	81	36	5	15	2	30	82	50
MULI 4	180	63	39	150	15	47.5	145	240	150	115	36	6	16	2	45	117	65
MULI 5	200	71	46	166	17	67.5	165	300	170	131	56	8	30	2.5	55	160	95
JUMBO 1	210	71	49	170	20	65	195	325	200	155	56	8	40	8	55	175	95
JUMBO 2	240	80	60	190	25	67.5	220	355	225	170	56	8	45	8	55	165	110
JUMBO 3	240	80	60	190	25	67.5	220	355	225	170	56	8	45	8	55	165	110
JUMBO 4	290	100	65	230	30	65	250	380	255	190	56	10	54	8	65	220	140
JUMBO 5	360	135	75	290	35	100	300	500	305	230	90	14	80	8	90	266	200

Size	Dimensions [mm]															
	C4 <sup>2)</sup>	C5	C6	C7	D1k6 <sup>4)</sup>	D2 <sup>5)</sup>	D3 <sup>6)</sup>	D4Tr	D4KGT	D5 <sup>2)</sup>	D6	D7H7	D8	D9xb6 <sup>7)</sup>	□R(TK) <sup>7)</sup>	V-KGT
MULI 1	12(23)	19	31	22	10 x 21.5	33	M12 x 1.75	Tr18 x 4	1605	29.6(48)	M8	28	12	M5x10	32(45.25)	30x30
MULI 2	18(21.5)	20	37.5	27	14 x 25	40	M14 x 2.0	Tr20 x 4	2005	38.7(61)	M8	35	15	M6x12	35(49.5)	40x40
MULI 3	23	22	41	29	16 x 42.5	50	M20 x 2.5	Tr30 x 6	2505	46	M10	35	17	M8x12	44(62.2)	50x50
MULI 4	32	29	58.5	42.5	20 x 45	60	M30 x 3.5	Tr40 x 7	4005/4010	60	M12	52	25	M10x15	55(77.8)	60x60
MULI 5	40	48	80	53	25 x 65	82	M36 x 4	Tr55 x 9	5010	85	M20	52	28	M12x18	60(84.85)	80x80
JUMBO 1	40	48	87.5	60	25 x 62.5	90	M48 x 2	Tr60 x 9	–	90	M24	52	28	M12x18	60(84.85)	–
JUMBO 2	40	58	82.5	60	30 x 65	115	M56 x 2	Tr70 x 10	–	105	M30	58	32	M12x18	(80)	–
JUMBO 3	40	58	82.5	60	30 x 65	115	M64 x 3	Tr80 x 10	8010	120	M30	58	32	M12x18	(80)	120x120
JUMBO 4	50	78	110	86	35 x 62.5	133	M72 x 3	Tr100 x 10	–	145	M36	72	40	M16x30	(100)	–
JUMBO 5	60	118	133	109	48 x 97.5	153	M100 x 3	Tr120 x 14	–	170	M42	80	50	M16x40	(115)	–

1) This dimension refers to the closed height and represents a minimum. It must be increased if bellows are used (see page 22).

2) The values in brackets refer to version with ball screw.  
3) Square tube for version with ball screw and anti-rotation device.

4) Diameter and length to shoulder.  
5) Dimension A1 in accordance to DIN 1685 GTB 18.

6) In accordance to DIN 13 screw thread: MULI.  
In accordance to DIN 13 fine pitch thread: JUMBO.  
7) JUMBO 2-5 only 3 holes