

**"AGy...-4" and "AGy...-4A"****Drive Type - kW rating**

		1007	1015	1022	1030	2040	2055	2075	3110	3150	4220	4300	4370	5450	5550	6750	7900	71100	71320															
<b>Technical data</b>																																		
U <sub>N</sub> AC Input voltage	[V]	230 V -15% ... 480 V +10%, 3Ph																																
AC Input frequency	[Hz]	50/60 Hz ±5%																																
Inverter Output (IEC 146 class 1)																																		
Continuous service (@ 400Vac)	[kVA]	1.6	2.7	3.8	5	6.5	8.5	12	16.8	22.4	32	42	55	64	79	98	128	145	173															
Inverter Output (IEC 146 class 2)																																		
150% overload for 60s (@ 400Vac)	[kVA]	1.4	2.4	3.4	4.5	5.9	7.7	10.9	15.3	20.3	29	38.2	50	58.3	72	89.2	116.5	132	157.5															
P <sub>N</sub> motor (recommended output):																																		
@ U <sub>N</sub> =230Vac; f <sub>sw</sub> =default;																																		
IEC 146 class 1	[kW]	0.37	0.75	1.1	1.5	2.2	3	4	5.5	7.5	11	18.5	22	22	30	37	55	55	75															
@ U <sub>N</sub> =230Vac; f <sub>sw</sub> =default;																																		
IEC 146 class 2	[kW]	0.37	0.75	1.1	1.5	2.2	3	4	5.5	7.5	11	15	18.5	22	30	37	45	55	55															
@ U <sub>N</sub> =400Vac; f <sub>sw</sub> =default;																																		
IEC 146 class 1	[kW]	0.75	1.5	2.2	3	4	5.5	7.5	11	15	22	30	37	45	55	75	90	110	132															
@ U <sub>N</sub> =400Vac; f <sub>sw</sub> =default;																																		
IEC 146 class 2	[kW]	0.75	1.5	2.2	3	4	5.5	7.5	11	15	22	30	37	45	55	55	90	90	110															
@ U <sub>N</sub> =460Vac; f <sub>sw</sub> =default;																																		
IEC 146 class 1	[Hp]	1	2	3	3	5	7.5	10	15	20	30	40	50	60	75	100	125	150	150															
@ U <sub>N</sub> =460Vac; f <sub>sw</sub> =default;																																		
IEC 146 class 2	[Hp]	0.75	1.5	2	3	5	7.5	10	15	20	25	30	40	50	60	75	100	125	150															
U <sub>2</sub> Max output voltage	[V]	0.94 x U <sub>N</sub> (AC Input voltage)																																
f <sub>2</sub> Max output frequency	[Hz]	500																																
I <sub>2N</sub> Rated output current :																																		
@ U <sub>N</sub> =230-400Vac; f <sub>sw</sub> = default;																																		
IEC 146 class 1	[A]	2.4	4	5.6	7.5	9.6	12.6	17.7	24.8	33	47	63	79	93	114	142	185	210	250															
@ U <sub>N</sub> =230-400Vac; f <sub>sw</sub> =default;																																		
IEC 146 class 2	[A]	2.2	3.6	5.1	6.8	8.7	11.5	16.1	22.5	30	43	58	72	85	104	129	169	191	227															
@ U <sub>N</sub> =460Vac; f <sub>sw</sub> =default;																																		
IEC 146 class 1	[A]	2.1	3.5	4.9	6.5	8.3	11	15.4	21.6	28.7	40	54	68	81	99	124	160	183	217															
@ U <sub>N</sub> =460Vac; f <sub>sw</sub> =default;																																		
IEC 146 class 2	[A]	1.9	3.2	4.4	5.9	7.6	10	14	19.6	26	36	50	62	74	90	112	146	166	198															
f <sub>sw</sub> switching freq. (Default)	[kHz]	8																																
f <sub>sw</sub> switching freq. (Higher)	[kHz]	16																																
Dimensions (width)																																		
	mm	105.5			151.5			208			309			376			509																	
	[inch]	[4.1]			[5.9]			[8.2]			[12.1]			[14.7]			[20]																	
Dimensions (length)																																		
	mm	306.5			323			489			564			741			909																	
	[inch]	[12.0]			[12.7]			[19.2]			[22.2]			[29.2]			[35.8]																	
Dimensions (depth)																																		
	mm	199.5			240			268			308			297.5			297.5																	
	[inch]	[7.8]			[9.5]			[10.5]			[12.1]			[11.7]			[11.7]																	
Weight																																		
	Kg	3.5	3.6	3.7	4.95			8.6			18			22.2			34			59			75.4			80.2			86.5					
	[lbs]	[7.7]	[7.9]	[8.1]	[10.9]			[19]			[39.6]			[48.9]			[48.9]			[74.9]			[130]			[166.1]			[176.7]			[190.6]		

**"AGy...-5"****Drive Type - Hp rating**

		2002	2003	2005	3007	3010	3015	3020	4025	4030	4040	5050	5060	5075	6100	7125	7150	8200							
<b>Technical data</b>																									
U <sub>N</sub> AC Input voltage	[V]	575 V -15% ... 480 V +10%, 3Ph																							
AC Input frequency	[Hz]	50/60 Hz ±5%																							
Inverter Output (IEC 146 class 1)																									
Continuous service	[kVA]	3.8	4.5	7.0	10.8	13.7	18.6	24.1	30	36	46	58	69	86	109	136	157	210							
Inverter Output (IEC 146 class 2)																									
150% overload for 60s	[kVA]	3.4	4.1	6.3	9.8	12.5	16.9	21.9	27	33	42	53	63	78	99	125	143	191							
P <sub>N</sub> motor (recommended output):																									
@ U <sub>N</sub> =575Vac; f <sub>sw</sub> =default;																									
IEC 146 class 1	[Hp]	2	3	5	7.5	10	15	20	25	30	40	50	60	75	100	125	150	200							
@ U <sub>N</sub> =575Vac; f <sub>sw</sub> =default;																									
IEC 146 class 2	[Hp]	2	3	5	7.5	10	15	20	25	30	40	50	60	75	100	125	150	200							
U <sub>2</sub> Max output voltage	[V]	0.98 x U <sub>N</sub> (AC Input voltage)																							
f <sub>2</sub> Max output frequency	[Hz]	400																							
I <sub>2N</sub> Rated output current :																									
@ U <sub>N</sub> =575Vac; f <sub>sw</sub> =default;																									
IEC 146 class 1	[A]	3.8	4.5	7.0	10.8	13.7	18.6	24.1	30	36	46	58	69	86	109	137	158	211							
@ U <sub>N</sub> =575Vac; f <sub>sw</sub> =default;																									
IEC 146 class 2	[A]	3.5	4.1	6.3	9.8	12.5	16.9	21.9	27	33	42	53	63	78	99	125	144	192							
f <sub>sw</sub> switching freq. (Default)	[kHz]	8																							
f <sub>sw</sub> switching freq. (Higher)	[kHz]	16																							
Dimensions (width)																									
	mm	151.5			208			350			418			509											
	[inch]	[5.9]			[8.2]			[13.8]			[16.4]			[20]											
Dimensions (length)																									
	mm	306.5			323			569			605			921			1113			1183					
	[inch]	[12.0]			[12.7]			[22.4]			[23.8]			[36.2]			[43.8]			[46.6]					
Dimensions (depth)																									
	mm	199.5			240			268			320			297.5			297.5								
	[inch]	[7.8]			[9.5]			[10.5]			[12.6]			[11.7]			[11.7]								
Weight																									
	Kg	4.6	4.8	8.2	8.8			28.6			31.6			47			83			118			131		
	[lbs]	[10.1]	[10.6]	[18]	[19.4]			[63.1]			[67.9]			[103.6]			[183]			[260.1]			[288.6]		

**Environmental Condition**

<b>Enclosures</b>	IP20 (NEMA type 1 option)
<b>Ambient temperature</b>	0 ... 40°C, +40°C...+50°C with derating
<b>Altitude</b>	up to 1000 m without current limitation

**Normative and marks**

<b>CE</b>	in compliance with CEE directives, for low voltage devices.
<b>UL, cUL, CSA</b>	in compliance with American and Canadian market directives.
<b>EMC</b>	in compliance with CEE - EN 61800-3 / A11 electromagnetic compatibility directive, using optional filters.

**Condiciones ambientales**

<b>Cajas</b>	IP20 (tipo NEMA 1 opcional)
<b>Temperatura ambiente</b>	0 ... 40°C, +40°C...+50°C con derating
<b>Altitud</b>	hasta 1.000 m sin límite de intensidad





**Normativa y marcas**

<b>CE</b>	de acuerdo con las directivas CEE, para dispositivos de bajo voltaje
<b>UL, cUL y CSA</b>	de acuerdo con las directivas de mercado Norte americanas y Canadienses.
<b>EMC</b>	de acuerdo con la directiva de compatibilidad electromagnética CEE - EN 61800-3 / A11, utilizando filtros opcionales

## Ordering Codes

Bestellnummern  
Códigos de Mandos

### AGy...-4 Series

-  3 x 230V<sub>AC</sub>...480V<sub>AC</sub> power supplies (factory set for 400V<sub>AC</sub>-50Hz), KBG-1 keypad
-  Alimentazione 3 x 230V<sub>AC</sub>...480V<sub>AC</sub> (impostazione di fabbrica per 400V<sub>AC</sub>-50Hz), Tastiera a led KBG-1
-  Alimentation 3 x 230V<sub>CA</sub>...480V<sub>CA</sub> (paramétrage en usine pour 400V<sub>AC</sub>-50Hz), Console à voyants KBG-1
-  Versorgung 3 x 230V<sub>AC</sub>...480V<sub>AC</sub> (werkseitige Einstellung für 400V<sub>AC</sub>-50Hz), Bedieneinheit mit KBG-1



SIEI Code	Type	Rated power @ 400V <sub>AC</sub>	Standard settings
S906P	AGy2055-KBX-4	5.5 kW	Braking unit
S907P	AGy2075-KBX-4	7.5 kW	Braking unit
S908P	AGy3110-KBX-4	11 kW	Braking unit
S909P	AGy3150-KBX-4	15 kW	Braking unit
S911P	AGy4220-KBX-4	22 kW	Braking unit
S913P	AGy4300-KBX-4	30 kW	Braking unit
S915P	AGy4370-KBX-4	37 kW	Braking unit
S917P	AGy5450-KBX-4	45 kW	Braking unit
S919P	AGy5550-KBX-4	55 kW	Braking unit
S910P	AGy4220-KXX-4	22 kW	
S912P	AGy4300-KXX-4	30 kW	
S914P	AGy4370-KXX-4	37 kW	
S916P	AGy5450-KXX-4	45 kW	
S918P	AGy5550-KXX-4	55 kW	
S920P	AGy6750-KXX-4	75 kW	
S921P	AGy7900-KXX-4	90 kW	
S922P	AGy71100-KXX-4	110 kW	
S923P	AGy71320-KXX-4	132 kW	

## Ordering Codes

### Input Chokes

Induttanze di Rete  
Inductances de Réseau  
Netzdröseln  
Inductancia de Red



AGy... -4/4A (230...480V)						
Drive type	Mains choke [mH]	Rated current [A]	Saturation current [A]	Frequency [Hz]	Model Number	SIEI code
AGy2055	1.29	11.8	24.5	50/60	LR3y-2055	S7AB5
AGy2075	0.89	17.4	36.5	50/60	LR3y-2075	S7AB6
AGy3110	0.68	22.4	46.5	50/60	LR3y-3110	S7AB7
AGy3150	0.51	30	61	50/60	LR3y-3150	S7AB8
AGy4220	0.35	41	83	50/60	LR3-022	S7FF4
AGy4300	0.24	58	120	50/60	LR3-030	S7FF3
AGy4370	0.18	71	145	50/60	LR3-037	S7FF2
AGy5450	0.13	102	212	50/60	LR3-055	S7FF1
AGy5550	0.13	102	212	50/60	LR3-055	S7FF1
AGy6750	0.148	173	350	50/60	LR3-090	S7D19
AGy7900	0.148	173	350	50/60	LR3-090	S7D19
AGy71100	0.085	297	600	50/60	LR3-160	S7D40
AGy71320	0.085	297	600	50/60	LR3-160	S7D40

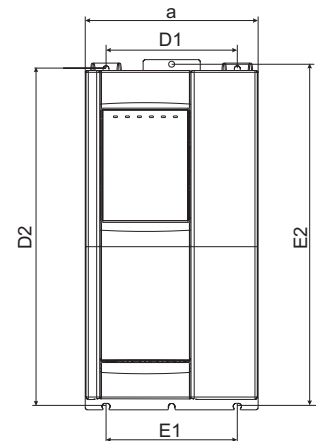
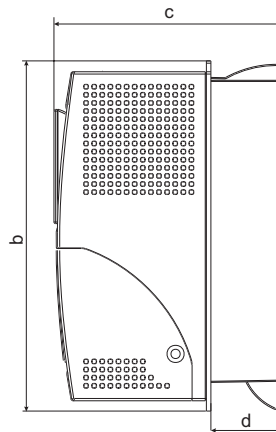
Specifiche Tecniche  
Spécifications Techniques

Technische Spezifikationen  
Especificaciones Técnicas

## Dimensions and Weights

AGy2... , AGy3...

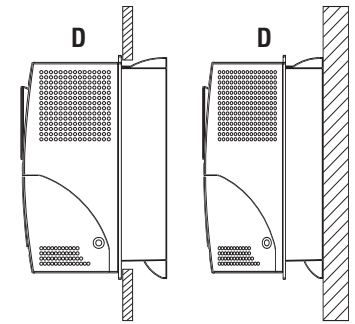
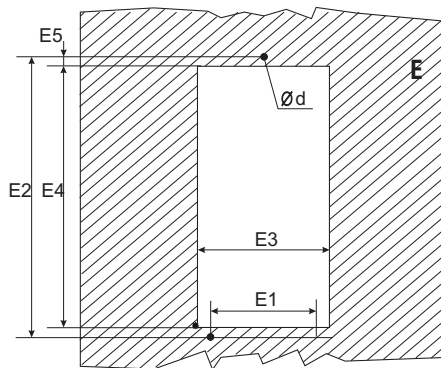
Dimensioni e Pesì  
Dimensions et Poids  
Abmessungen und Gewichte  
Dimensiones y Pesos



## Assembly Method

Metodo di Montaggio  
Mode de Montage  
Montageart  
Metodos de Montaje

- (E): Assembly with external heatsink  
 Montaggio con dissipatore esterno  
 Montage avec dissipateur extérieur  
 Montage mit externem Kühlkörper  
 Montaje con disipador externo
- (D): Wall assembly  
 Montaggio a muro  
 Montage au mur  
 Wandmontage  
 Montaje a la pared



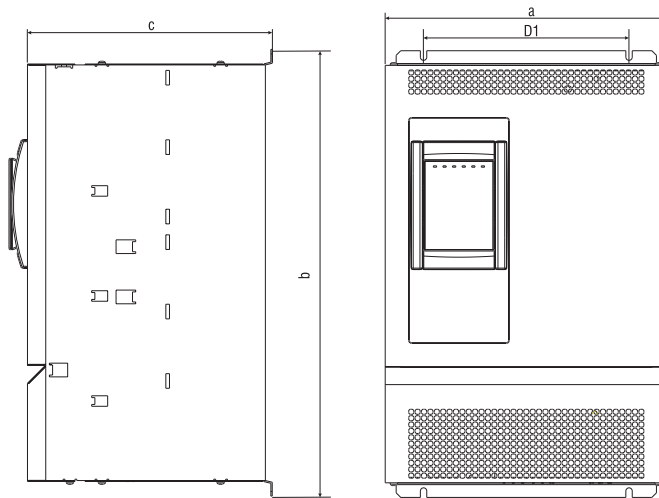
Dimensions mm [inch]	AGy...-4 (230V...480V)				AGy...-5 (575V)						
	2055	2075	3110	3150	2002	2003	2005	3007	3010	3015	3020
a	151.5 [5.9]	151.5 [5.9]	208 [8.2]	208 [8.2]	151.5 [5.9]	151.5 [5.9]	151.5 [5.9]	208 [8.2]	208 [8.2]	208 [8.2]	208 [8.2]
b	306.5 [12.0]	306.5 [12.0]	323 [12.7]	323 [12.7]	306.5 [12.0]	306.5 [12.0]	306.5 [12.0]	323 [12.7]	323 [12.7]	323 [12.7]	323 [12.7]
c	199.5 [7.8]	199.5 [7.8]	240 [9.5]	240 [9.5]	199.5 [7.8]	199.5 [7.8]	199.5 [7.8]	240 [9.5]	240 [9.5]	240 [9.5]	240 [9.5]
d	62 [2.4]	62 [2.4]	84 [3.3]	84 [3.3]	62 [2.4]	62 [2.4]	62 [2.4]	84 [3.3]	84 [3.3]	84 [3.3]	84 [3.3]
D1	115 [4.5]	115 [4.5]	168 [6.6]	168 [6.6]	115 [4.5]	115 [4.5]	115 [4.5]	168 [6.6]	168 [6.6]	168 [6.6]	168 [6.6]
D2	296.5 [11.6]	296.5 [11.6]	310.5 [12.2]	310.5 [12.2]	296.5 [11.6]	296.5 [11.6]	296.5 [11.6]	310.5 [12.2]	310.5 [12.2]	310.5 [12.2]	310.5 [12.2]
E1	115 [4.5]	115 [4.5]	164 [6.5]	164 [6.5]	115 [4.5]	115 [4.5]	115 [4.5]	164 [6.5]	164 [6.5]	164 [6.5]	164 [6.5]
E2	299.5 [11.7]	299.5 [11.7]	315 [12.4]	315 [12.4]	299.5 [11.7]	299.5 [11.7]	299.5 [11.7]	315 [12.4]	315 [12.4]	315 [12.4]	315 [12.4]
E3	145.5 [5.7]	145.5 [5.7]	199 [7.8]	199 [7.8]	145.5 [5.7]	145.5 [5.7]	145.5 [5.7]	199 [7.8]	199 [7.8]	199 [7.8]	199 [7.8]
E4	284 [11.2]	284 [11.2]	299.5 [11.8]	299.5 [11.8]	284 [11.2]	284 [11.2]	284 [11.2]	299.5 [11.8]	299.5 [11.8]	299.5 [11.8]	299.5 [11.8]
E5	9 [0.35]	9 [0.35]	9 [0.35]	9 [0.35]	9 [0.35]	9 [0.35]	9 [0.35]	9 [0.35]	9 [0.35]	9 [0.35]	9 [0.35]
Ød	M5	M5	M5	M5	M5	M5	M5	M5	M5	M5	M5
Weight kg [lbs]	4.95 [10.9]	4.95 [10.9]	8.6 [19]	8.6 [19]	4.6 [10.1]	4.6 [10.1]	4.8 [10.6]	8.2 [18]	8.2 [18]	8.8 [19.4]	8.8 [19.4]

# Technical Specifications

## Dimensions and Weights

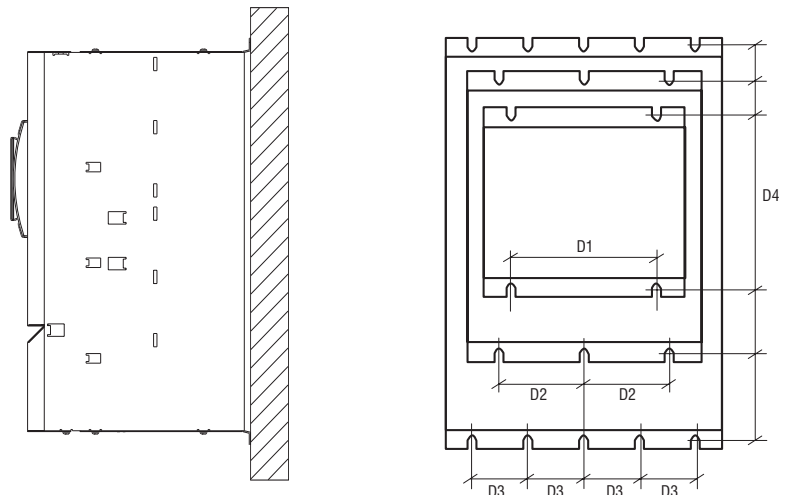
AGy4... , AGy5... , AGy6... , AGy7...

*Dimensioni e Pesì*  
*Dimensions et Poids*  
*Abmessungen und Gewichte*  
*Dimensiones y Pesos*



## Mounting Method

*Metodo di Montaggio*  
*Mode de Montage*  
*Montageart*  
*Metodos de Montaje*

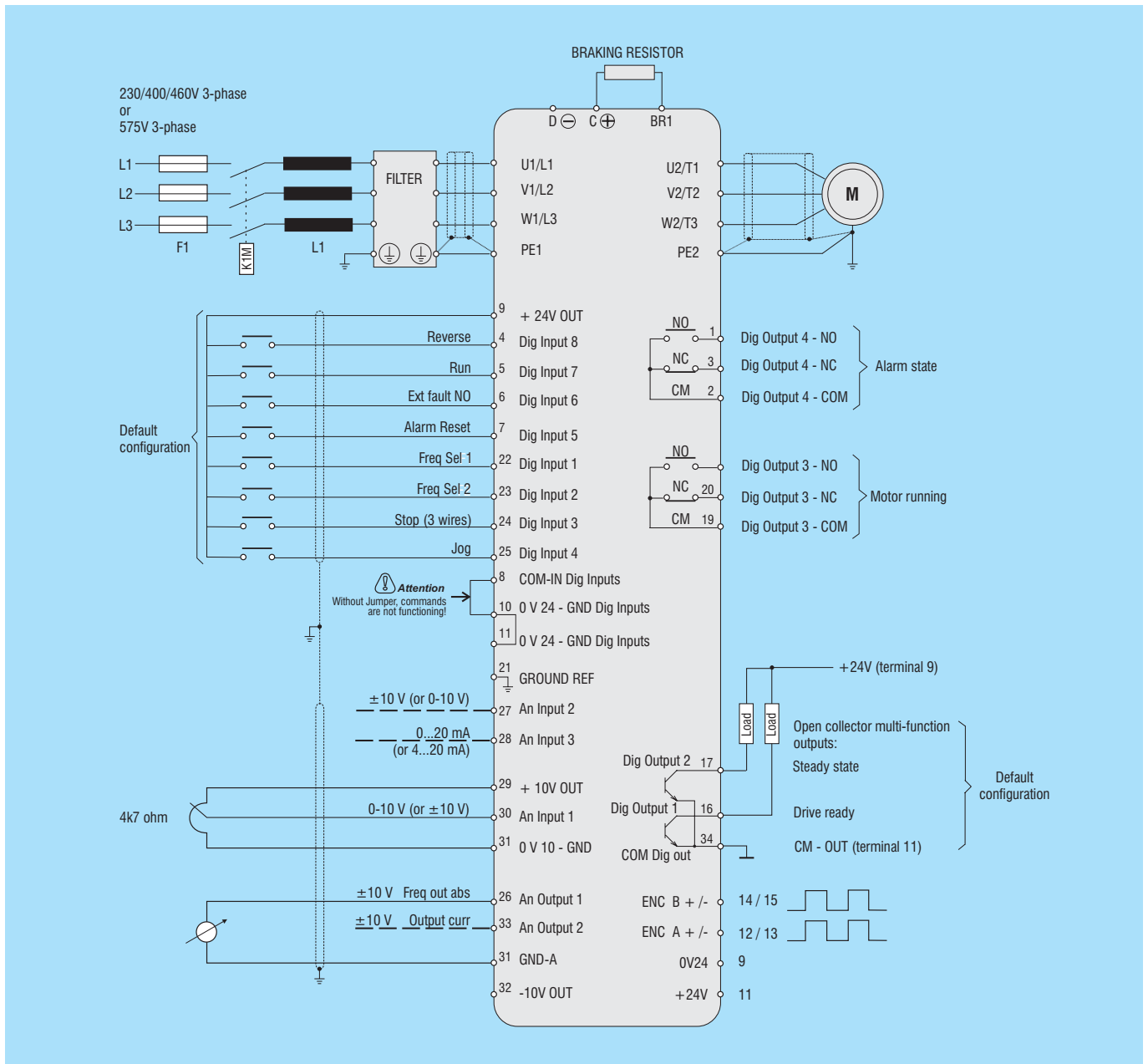


- (D):
- Wall mounting
  - Montaggio a muro
  - Montage au mur
  - Wandmontage
  - Montaje a la pared

Dimensions mm [inch]	AGy...-4 (230V...480V)									AGy...-5 (575V)								
	4220	4300	4370	5450	5550	6750	7900	7110	71320	4025	4030	4040	5050	5060	5075	6100	7125	7150
<b>a</b>	309 [12.1]	309 [12.1]	309 [12.1]	376 [14.7]	376 [14.7]	509 [20]	509 [20]	509 [20]	509 [20]	350 [13.8]	350 [13.8]	350 [13.8]	418 [16.4]	418 [16.4]	418 [16.4]	509 [20]	509 [20]	509 [20]
<b>b</b>	489 [19.2]	489 [19.2]	489 [19.2]	564 [22.2]	564 [22.2]	741 [29.2]	909 [35.8]	909 [35.8]	909 [35.8]	569 [22.4]	569 [22.4]	569 [22.4]	605 [23.8]	605 [23.8]	605 [23.8]	921 [36.2]	1113 [43.8]	1113 [43.8]
<b>c</b>	268 [10.5]	308 [12.1]	308 [12.1]	308 [12.1]	308 [12.1]	297.5 [11.7]	297.5 [11.7]	297.5 [11.7]	297.5 [11.7]	268 [10.5]	268 [10.5]	320 [12.6]	320 [12.6]	320 [12.6]	320 [12.6]	297.5 [11.7]	297.5 [11.7]	297.5 [11.7]
<b>D1</b>	225 [8.8]	225 [8.8]	225 [8.8]	-	-	-	-	-	-	-	-	-	-	-	-	-	-	-
<b>D2</b>	-	-	-	150 [15.9]	150 [15.9]	-	-	-	-	150 [15.9]	150 [15.9]	150 [15.9]	150 [15.9]	150 [15.9]	150 [15.9]	-	-	-
<b>D3</b>	-	-	-	-	-	100 [3.9]	100 [3.9]	100 [3.9]	100 [3.9]	-	-	-	-	-	-	100 [3.9]	100 [3.9]	100 [3.9]
<b>D4</b>	457 [18.7]	457 [18.7]	457 [18.7]	550 [21.6]	550 [21.6]	725 [28.5]	891 [35]	891 [35]	891 [35]	555 [21.2]	555 [21.2]	555 [21.2]	590 [23.2]	590 [23.2]	590 [23.2]	903 [35.5]	1095 [43.1]	1095 [43.1]
<b>Ø d</b>	M6	M6	M6	M6	M6	M6	M6	M6	M6	M6	M6	M6	M6	M6	M6	M6	M6	M6
<b>Weight kg [lbs]</b>	18 [39.6]	22 [48.5]	22.2 [48.9]	34 [74.9]	34 [74.9]	59 [130]	75.4 [166.1]	80.2 [176.7]	86.5 [190.6]	28.6 [62.9]	28.6 [62.9]	31.6 [69.5]	47 [103.6]	47 [103.6]	47 [103.6]	83 [183]	118 [260.1]	118 [260.1]

# Typical Connection Scheme

Schema Tipico di Collegamento  
Schéma Typique de Raccordement  
Typischer Anschlussplan  
Diagrama Tipico de Conexión



The connection diagram describes a typical inverter connection arrangement, set up to handle PNP logic "Terminal box commands". Refer to the instruction manual for additional detailed data.



Lo schema di collegamento indica una connessione tipica dell'inverter, predisposto per "Comandi da morsettiera" in logica PNP. Ulteriori informazioni dettagliate, sono disponibili nel relativo manuale d'istruzione.



Le schéma de connexion indique une connexion typique du variateur, prévu pour "Commandes par bornes" en logique PNP. Pour de plus amples informations voir la notice d'instruction correspondante.



Der Anschlussplan zeigt einen typischen Frequenzumrichteranschluss, der für "Befehle über Klemmleiste" in PNP-Logik bestimmt ist. Nähere Informationen sind dem entsprechenden Handbuch zu entnehmen.



El esquema de conexión describe un convertidor de frecuencia con una conexión típica, instalada para manejar en lógica PNP "Mandos de la Caja de Terminales". Utilice el manual de instrucciones para información detallada adicional.