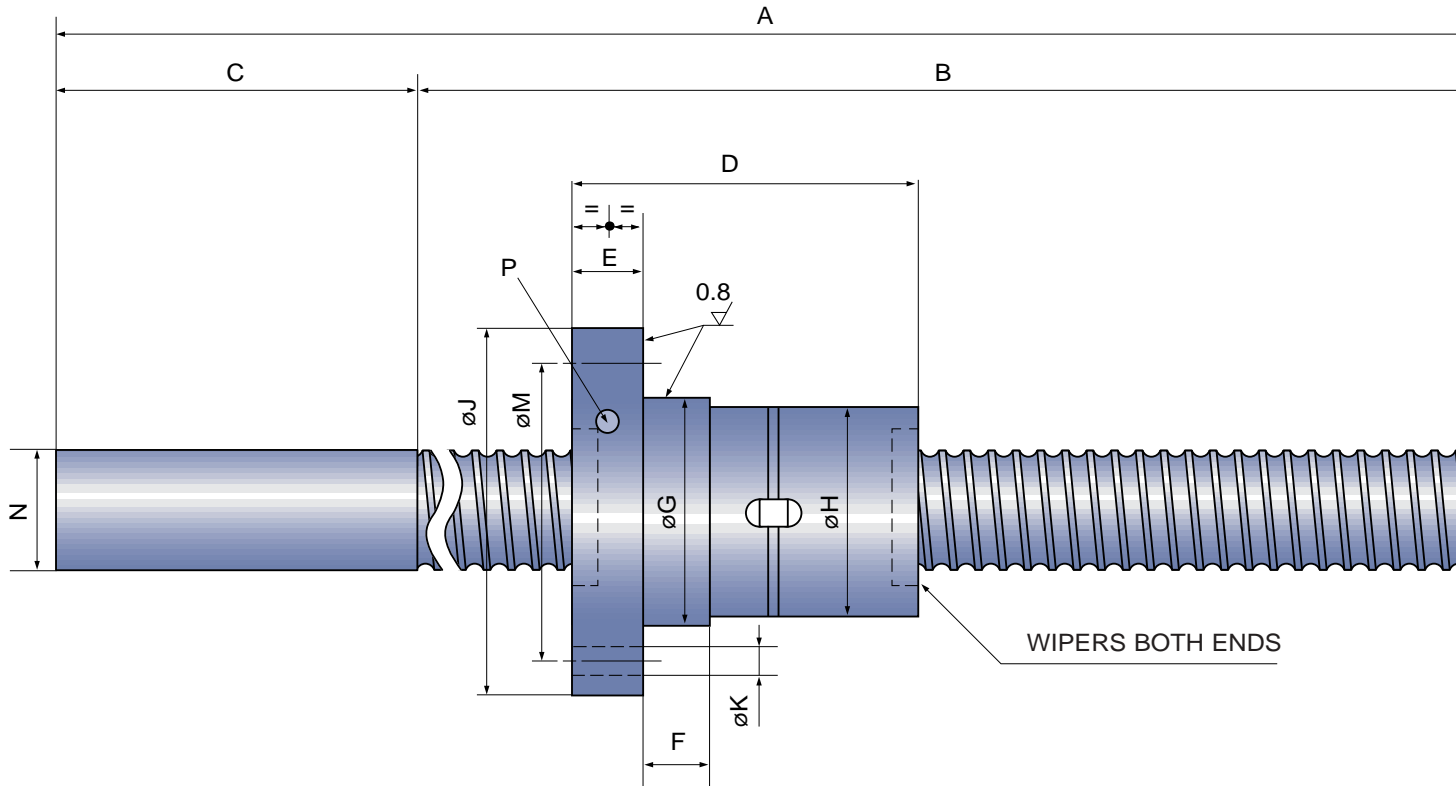


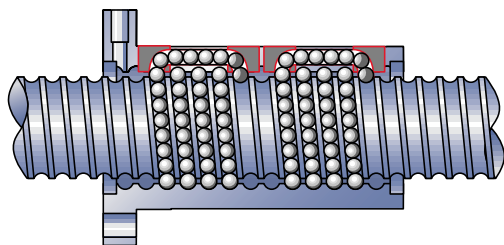
PRECISION GRADE 3 METRIC LEAD BALLSCREWS
FLANGED – DOUBLE NUT

NUT DESIGN TO DIN69051



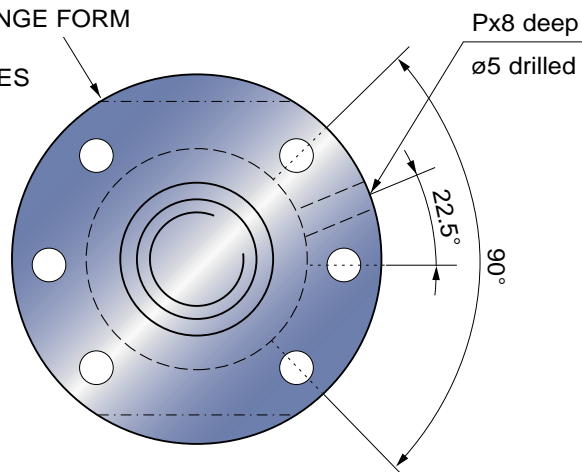
JTd3 SERIES-DOUBLE NUT			A	B	C	D	E	F	G	H	J	K
PART NO	PCD	LEAD										
JTd3-1605	16	5	600	500	100	83	10	10	27,993 27,980	28 ^{-0,2} _{-0,3}	48	5,5
JTd3-2005	20	5	1000	800	200	84	10	10	35,991 35,975	36 ^{-0,2} _{-0,3}	58	6,6
JTd3-2505	25	5	1200	1000	200	84	10	10	39,991 39,975	40 ^{-0,2} _{-0,3}	62	6,6
JTd3-3205	32	5	1700	1500	200	87	12	10	49,991 49,975	50 ^{-0,2} _{-0,3}	80	9,0
JTd3-3210	32	10	1700	1500	200	131	12	16	49,991 49,975	50 ^{-0,2} _{-0,3}	80	9,0
JTd3-4005	40	5	2200	2000	200	89	14	10	62,990 62,971	63 ^{-0,2} _{-0,3}	93	9,0
JTd3-4010	40	10	2200	2000	200	145	14	18	62,990 62,971	63 ^{-0,2} _{-0,3}	93	9,0
JTd3-5005	50	5	2700	2500	200	88	16	10	74,990 74,971	75 ^{-0,2} _{-0,3}	110	11,0
JTd3-5010	50	10	2700	2500	200	148	16	16	74,990 74,971	75 ^{-0,2} _{-0,3}	110	11,0
JTd3-6310	63	10	3500	3300	200	148	18	16	89,988 89,966	90 ^{-0,2} _{-0,3}	125	11,0

TRANSFER SYSTEM

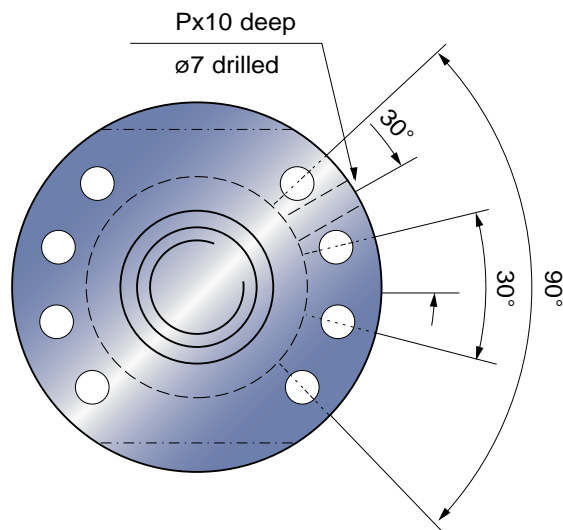


HOLE PATTERN 1

FOR FLANGE FORM
OPTIONS
SEE PAGES
9 or 11



HOLE PATTERN 2



M	N	P	Hole Pattern	BALL DIA.	NUMBER OF TURNS	PRELOAD daN	PRELOAD TORQUE daNcm	DYNAMIC RATING		STATIC RATING daN	RIGIDITY daN/μm
								1x10 ⁶ Revs daN	2.5x10 ⁶ Revs daN		
38	15	M6	1	3,000	2x4	130	0,8	1300	960	2180	45
47	19	M6	1	3,500	2x4	185	1,5	1780	1310	3170	57
51	24	M6	1	3,500	2x4	203	2,0	2030	1500	4170	65
65	31	M6	1	3,500	2x4	227	2,9	2260	1665	5370	78
65	31	M6	1	4,500	2x4	319	4,1	3190	2350	6870	85
78	39	M8x1	2	3,500	2x4	249	4,0	2490	1840	6770	92
78	38	M8x1	2	6,000	2x4	527	8,4	5090	3750	11080	106
93	49	M8x1	2	3,500	2x4	273	5,5	2730	2010	8570	106
93	48	M8x1	2	7,144	2x4	738	14,3	7150	5270	16570	126
108	61	M8x1	2	7,144	2x4	806	20,3	8050	5930	21560	144