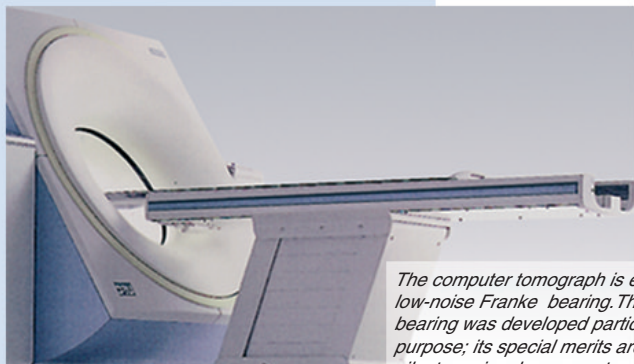


## *Application examples antifriction bearings*



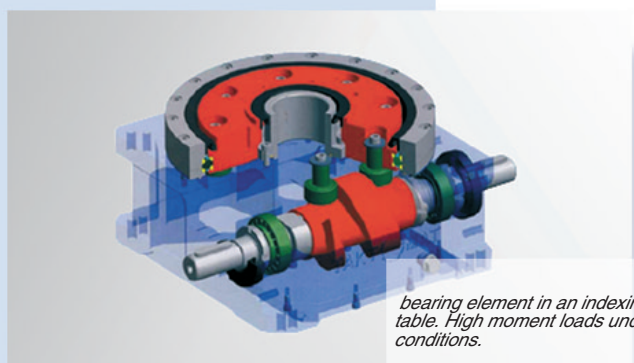
*The computer tomograph is equipped with a low-noise Franke bearing. This patented bearing was developed particularly for this purpose; its special merits are very smooth and silent running, low current consumption, and high precision.*

*(Photo Siemens)*



*Circular knitting machine. bearing assembly has an excellent adaptability to changing thermal conditions, thus allowing high speeds with low energy consumption.*

*(Photo Mayer & Cie.)*



*bearing element in an indexing table. High moment loads under rough conditions.*

*(Photo Taktomat)*

*The special advantages of the bearings are the space saving design together with high load capacities for loads from whatever direction. The balls run on tough rings from spring steel which are embedded in the mating structure. Load capacity and running behaviour are therefore independent from the material of the mating structure, giving the designer a wide range of materials from which to choose.*

*Numerous series provide a wide selection range from the LowCost version to slim bearings and special solutions such as our angular ball bearings for CT-scanners.*

