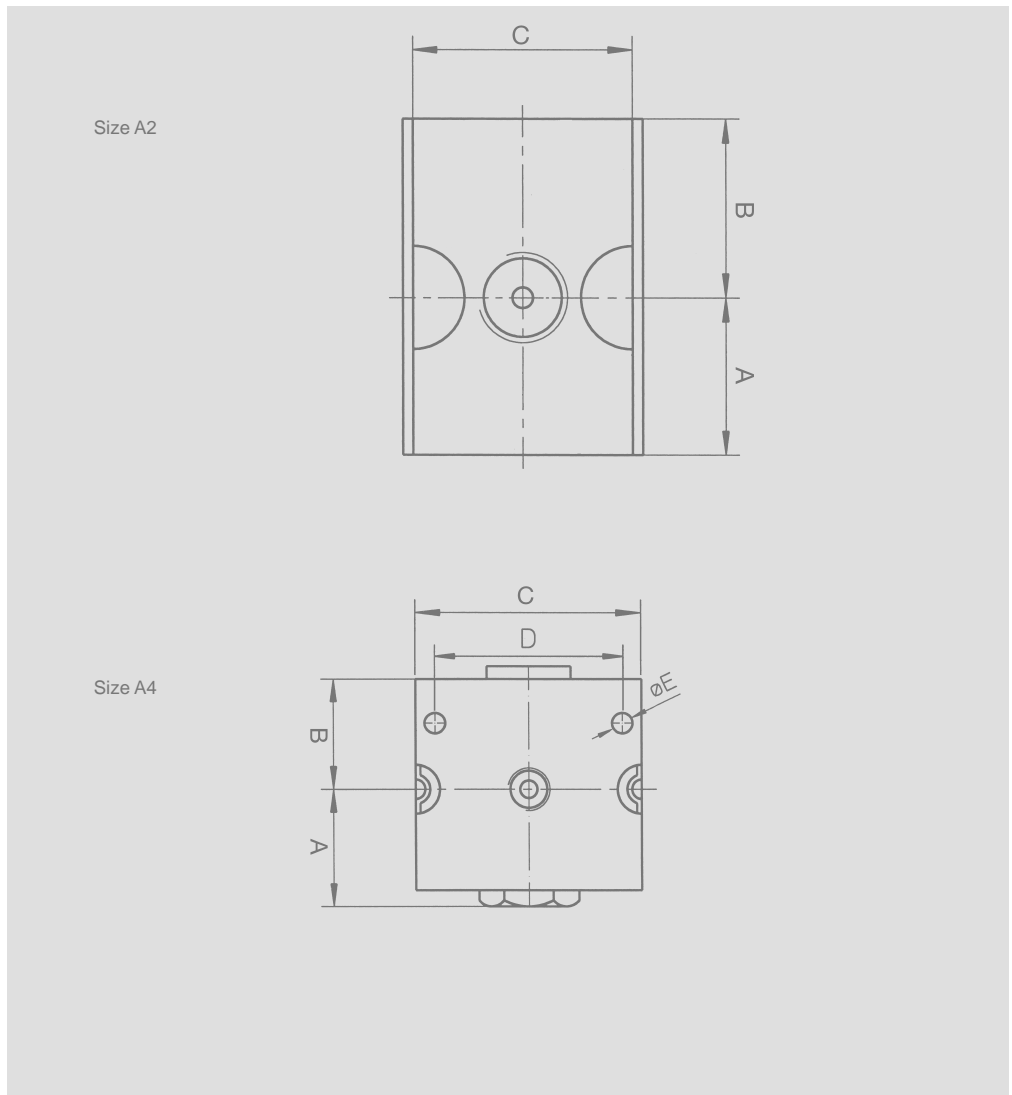




Air manifold block, e.g. for the extraction of unlubricated air in 2-section maintenance units or for multiple extraction of air at any desired point, PN 14.



Size	Connection	Dimensions					Article no.
		A	B	C	D	E	
A2	G 3/8"	25	25	32	41	4,2	030-3987
A4	G 1/2"	37	34	70	58	6	030-0849
A4	G 3/4"	37	34	70	58	6	030-4074

Outlets on manifold block	front	back	top	bottom
Size A2	1/4	-	-	-
Size A2, optionally	1/4	1/4	1/4	3/8
Size A4	1/4	1/4	1/2	3/4