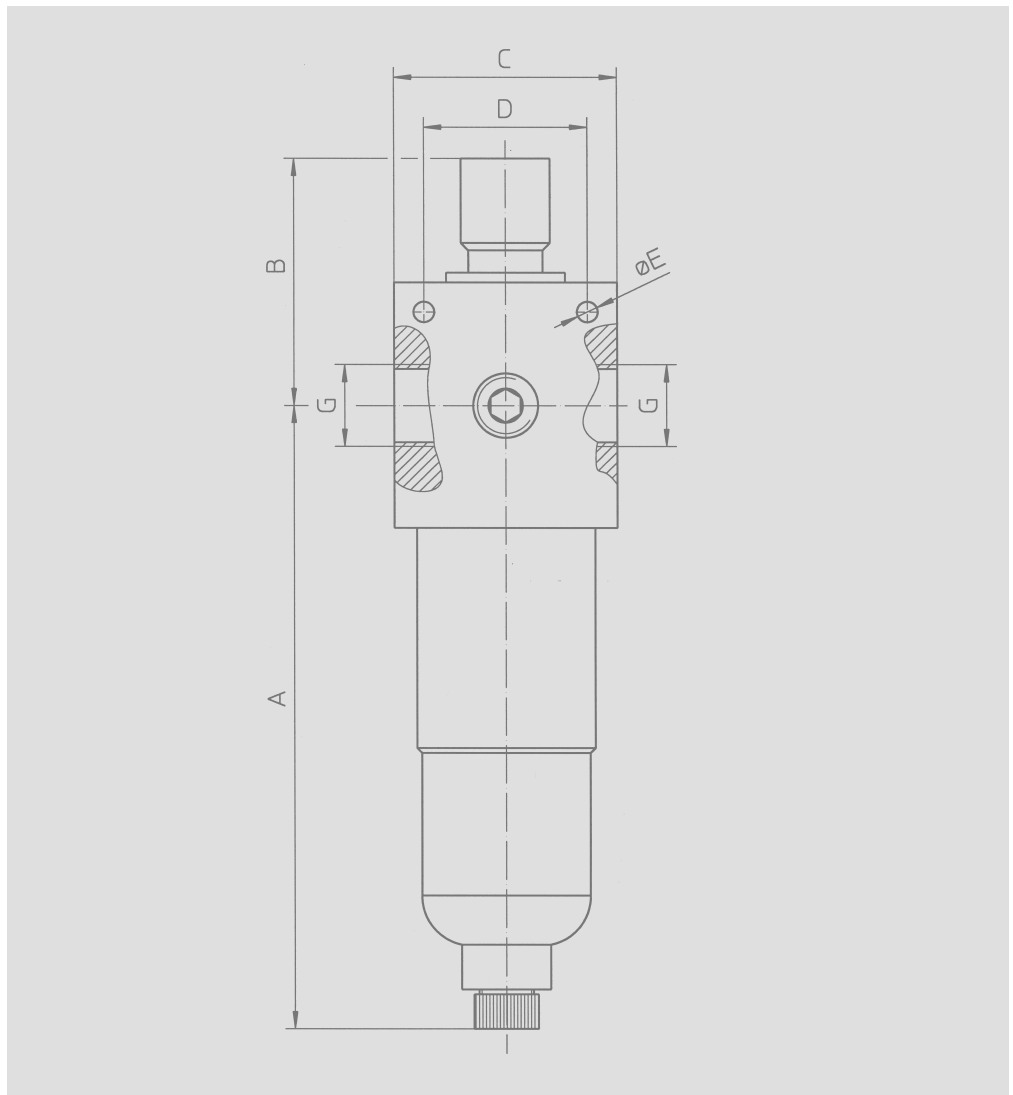




Mist lubricators with manual drain valve.



Operating temperature: .. 0 °C to +50 °C  
 Admission pressure: ..... max. 14 bar  
 Container material: ..... PA

Container volume:  
 BG2 ..... 60 cm<sup>3</sup>  
 BG4 ..... 170 cm<sup>3</sup>

Size	Connection	Dimensions					Inlet pressure	Article no.
		A	B	C	D	E		
BG1	G 1/4"	100	45	40	-	-	max 14 bar	030-4011
BG2	G 1/4"	127	50	53	41	4,2	max 14 bar	030-4040
BG2	G 3/8"	127	50	45	41	4,2	max 14 bar	030-4041
BG4	G 1/2"	148	65	73	58	6	max 14 bar	030-4042
BG4	G 3/4"	148	65	73	58	6	max 14 bar	030-4043
BG4	G 1"	148	65	124	58	6	max 14 bar	030-4044

Operating temperature: .. 0 °C to +50 °C  
 Admission pressure: ..... max. 14 bar  
 Container material: ..... Metal

Container volume:  
 BG2 ..... 45 cm<sup>3</sup>  
 BG4 ..... 150 cm<sup>3</sup>

Size	Connection	Dimensions					Inlet pressure	Article no.
		A	B	C	D	E		
BG2	G 1/4"	117	50	53	41	4,2	max 14 bar	030-4045
BG2	G 3/8"	117	50	45	41	4,2	max 14 bar	030-4046
BG4	G 1/2"	146	65	73	58	6	max 14 bar	030-4047
BG4	G 3/4"	146	65	73	58	6	max 14 bar	030-4048
BG4	G 1"	146	65	124	58	6	max 14 bar	030-4049