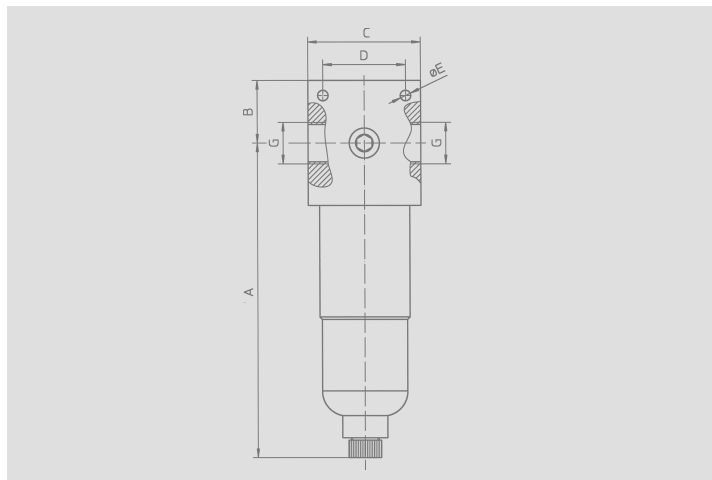




Compressed air filter with manual drain valve.

Compressed air filter with sub-microfilter and manual drain valve.



Compressed air filter with sub-microfilter and manual drain valve.

Operating temperature: .. 0 °C to +50 °C
 Admission pressure: max. 14 bar
 Separation degree: 99.99999 %
 based on 0.01 mm
 Residual oil content: 0.01 mg/m³
 Container material: PA

Size	Connection	Dimensions					Inlet pressure	Article no.
		A	B	C	D	E		
BG2	G 1/4"	117	25	53	41	4.2	max 14 bar	030-4021
BG2	G 3/8"	117	25	45	41	4.2	max 14 bar	030-4022
BG4	G 1/2"	146	34	73	58	6	max 14 bar	030-4023
BG4	G 3/4"	146	34	73	58	6	max 14 bar	030-4024
BG4	G 1"	146	34	124	58	6	max 14 bar	030-4025

Operating temperature: .. 0 °C to +50 °C
 Admission pressure: max. 14 bar
 Separation degree: 99.99999 %
 based on 0.01 mm
 Residual oil content: 0.01 mg/m³
 Container material: metal

Size	Connection	Dimensions					Inlet pressure	Article no.
		A	B	C	D	E		
BG2	G 1/4"	117	25	53	41	4.2	max 14 bar	030-4026
BG2	G 3/8"	117	25	45	41	4.2	max 14 bar	030-4027
BG4	G 1/2"	146	34	73	58	6	max 14 bar	030-4028
BG4	G 3/4"	146	34	73	58	6	max 14 bar	030-4029
BG4	G 1"	146	34	124	58	6	max 14 bar	030-4030

Compressed air filter with manual drain valve.

Operating temperature: .. 0 °C to +50 °C
 Admission pressure: max. 14 bar
 Sintered filter: pore width 50 µm
 Container material: PA

Container volume:
 BG2: 40 cm³
 BG4: 90 cm³

Size	Connection	Dimensions					Inlet pressure	Article no.
		A	B	C	D	E		
BG2	G 1/4"	127	25	53	41	4.2	max 14 bar	030-4014
BG2	G 3/8"	127	25	45	41	4.2	max 14 bar	030-1142
BG4	G 1/2"	148	34	73	58	6	max 14 bar	030-1103
BG4	G 3/4"	148	34	73	58	6	max 14 bar	030-1104
BG4	G 1"	148	34	124	58	6	max 14 bar	030-4015

Operating temperature: .. 0 °C to +50 °C
 Admission pressure: max. 14 bar
 Sintered filter: pore width 50 µm
 Container material: metal

Container volume:
 BG2: 20 cm³
 BG4: 60 cm³

Size	Connection	Dimensions					Inlet pressure	Article no.
		A	B	C	D	E		
BG2	G 1/4"	117	25	53	41	4.2	max 14 bar	030-4016
BG2	G 3/8"	117	25	45	41	4.2	max 14 bar	030-4017
BG4	G 1/2"	146	34	73	58	6	max 14 bar	030-4018
BG4	G 3/4"	146	34	73	58	6	max 14 bar	030-4019
BG4	G 1"	146	34	124	58	6	max 14 bar	030-4020