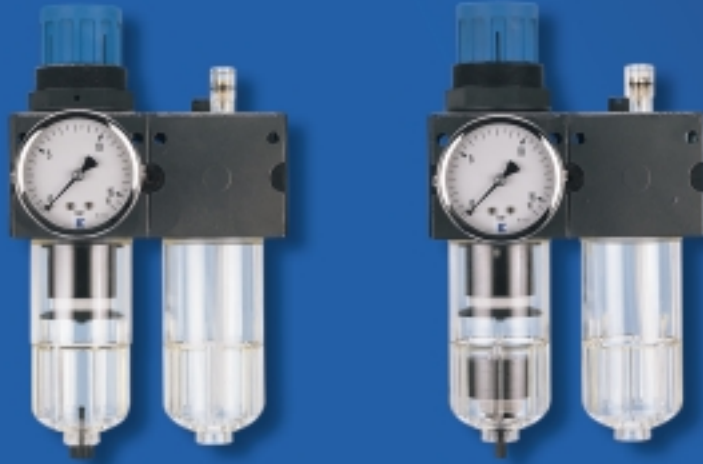


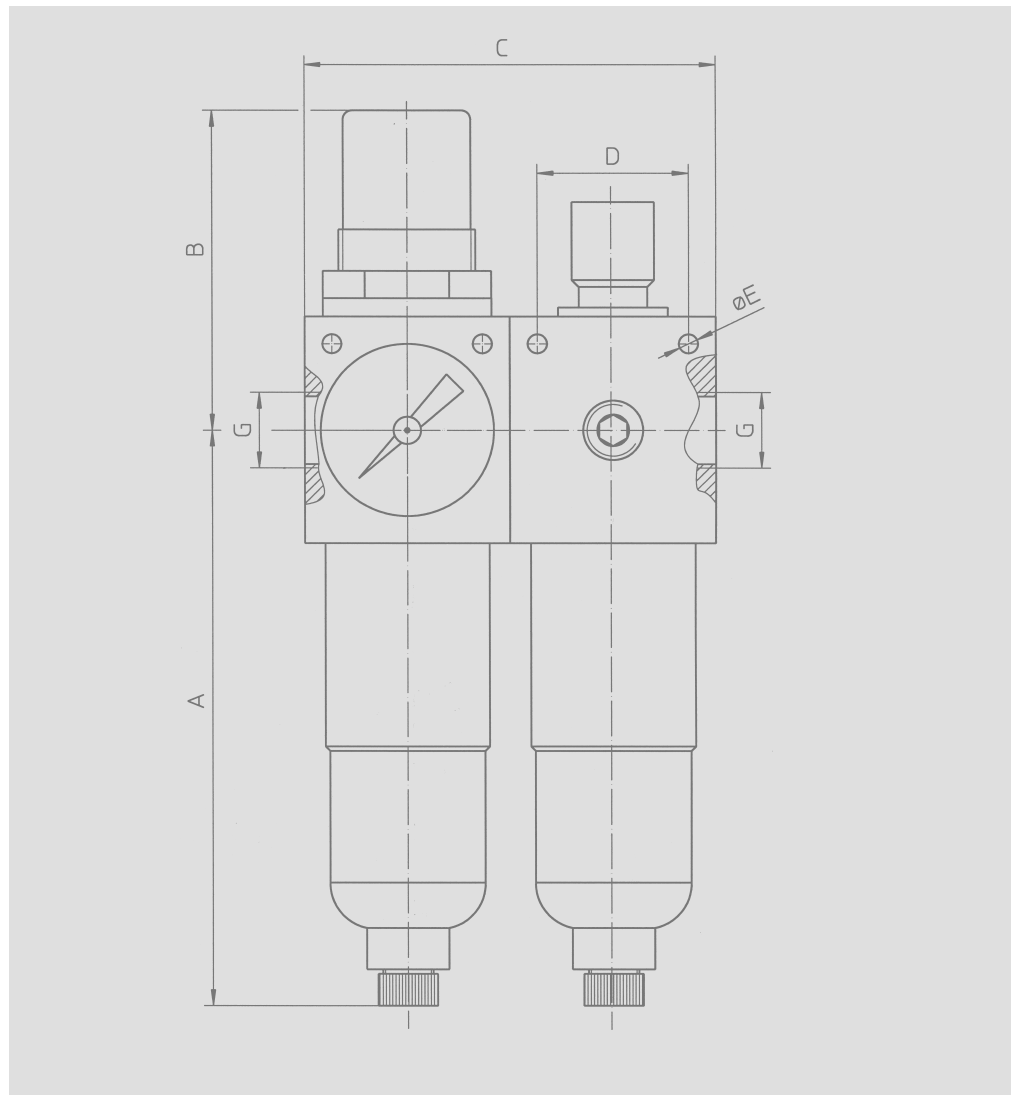
Regulators/valves

Air regulator-filter/
lubricator units



Adjustable air pressure regulator with automatic vent, filter with manual drain valve and lubricator.

Fixing brackets or panel mounting set available as an optional extra.



Operating temperature: .. 0°C to +50°C
For extraction pressure: .. 0.5 to 10 bar
Admission pressure: max. 14 bar
Sintered filter: pore width 50 µm
Container material: PA
Container volume BG2
Filter: 40 cm³
Lubricator: 60 cm³
Container volume BG4
Filter: 90 cm³
Lubricator: 170 cm³

Size	Connection	Dimensions					Control range	Inlet pressure	Pressure gauge	Fasten. bracket	Article no.
		A	B	C	D	E					
BG2	G 1/4"	127	70	98	41	4,2	0,5 - 10 bar	max 14 bar	with	+	030-4050
BG2	G 3/8"	127	70	90	41	4,2	0,5 - 10 bar	max 14 bar	with	+	030-4051
BG4	G 1/2"	148	93	143	58	6	0,5 - 10 bar	max 14 bar	with	+	030-4052
BG4	G 3/4"	148	93	143	58	6	0,5 - 10 bar	max 14 bar	with	+	030-4053
BG4	G 1"	148	93	193	58	6	0,5 - 10 bar	max 14 bar	with	+	030-4054

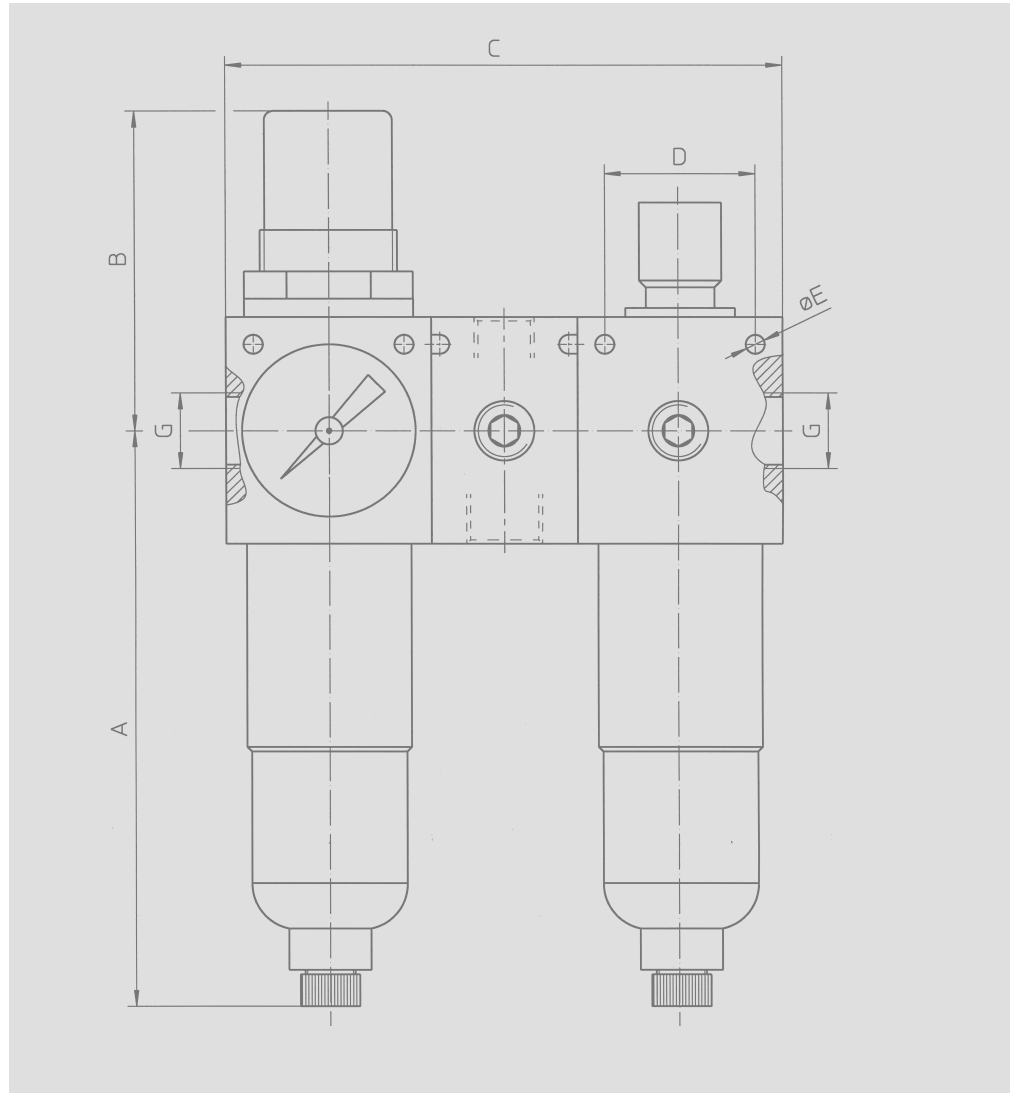
Operating temperature: .. 0°C to +50°C
For extraction pressure: .. 0.5 to 10 bar
Admission pressure: max. 14 bar
Sintered filter: pore width 50 µm
Container material: metal
Container volume BG2
Filter: 20 cm³
Lubricator: 45 cm³
Container volume BG4
Filter: 60 cm³
Lubricator: 150 cm³

Size	Connection	Dimensions					Control range	Inlet pressure	Pressure gauge	Fasten. bracket	Article no.
		A	B	C	D	E					
BG2	G 1/4"	117	70	98	41	4,2	0.5 - 10 bar	max 14 bar	with	+	030-4055
BG2	G 3/8"	117	70	90	41	4,2	0.5 - 10 bar	max 14 bar	with	+	030-4056
BG4	G 1/2"	146	93	143	58	6	0.5 - 10 bar	max 14 bar	with	+	030-4057
BG4	G 3/4"	146	93	143	58	6	0.5 - 10 bar	max 14 bar	with	+	030-4058
BG4	G 1"	146	93	193	58	6	0.5 - 10 bar	max 14 bar	with	+	030-4059

Maintenance unit, 2-section, with separate air extraction, comprising pressure reducer, filter and lubricator, with manual drain valve, reverse controllable, with automatic vent, admission pressure-independent. With extraction option for non-lubricated and lubricated air

Fastening bracket or fastening set for control panel mounting available as optional extra.

Please see "Accessories" for further information.



Operating temperature: .. 0 °C to +50 °C
For extraction pressure: .. 0.5 to 10 bar
Admission pressure: max. 14 bar
Sintered filter: pore width 50 µm
Container material: PA
Container volume BG2
Filter: 40 cm³
Lubricator: 60 cm³
Container volume BG4
Filter: 90 cm³
Lubricator: 170 cm³

Size	Connection	Dimensions					Control range	Inlet pressure	Pressure gauge	Fasten. bracket	Article no.
		A	B	C	D	E					
BG2	G 1/4"	127	70	130	41	4.2	0.5 - 10 bar	max 14 bar	with	+	030-4060
BG2	G 3/8"	127	70	122	41	4.2	0.5 - 10 bar	max 14 bar	with	+	030-4061
BG4	G 1/2"	148	93	221	58	6	0.5 - 10 bar	max 14 bar	with	+	030-4062
BG4	G 3/4"	148	93	213	58	6	0.5 - 10 bar	max 14 bar	with	+	030-4063
BG4	G 1"	148	93	265	58	6	0.5 - 10 bar	max 14 bar	with	+	030-4064

Operating temperature: .. 0 °C to +50 °C
For extraction pressure: .. 0.5 to 10 bar
Admission pressure: max. 14 bar
Sintered filter: pore width 50 µm
Container material: metal
Container volume BG2
Filter: 40 cm³
Lubricator: 60 cm³
Container volume BG4
Filter: 45 cm³
Lubricator: 150 cm³

Size	Connection	Dimensions					Control range	Inlet pressure	Pressure gauge	Fasten. bracket	Article no.
		A	B	C	D	E					
BG2	G 1/4"	117	70	130	41	4.2	0.5 - 10 bar	max 14 bar	with	+	030-4065
BG2	G 3/8"	117	70	122	41	4.2	0.5 - 10 bar	max 14 bar	with	+	030-4066
BG4	G 1/2"	146	93	221	58	6	0.5 - 10 bar	max 14 bar	with	+	030-4067
BG4	G 3/4"	146	93	213	58	6	0.5 - 10 bar	max 14 bar	with	+	030-4068
BG4	G 1"	146	93	265	58	6	0.5 - 10 bar	max 14 bar	with	+	030-4069