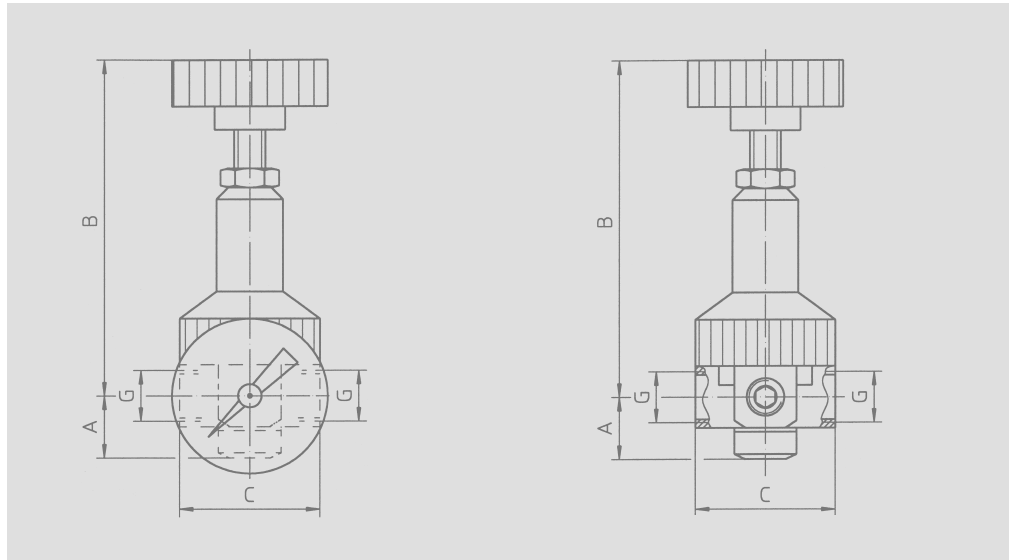




**Regulation range: 0 to 7 bar**

Compressed air regulator, reverse controllable, with automatic vent, admission pressure-independent.

Operating temperature: ..... 0 °C to 83 °C  
For extraction pressure: ..... 0 to 7 bar  
Admission pressure: ..... max. 20 bar

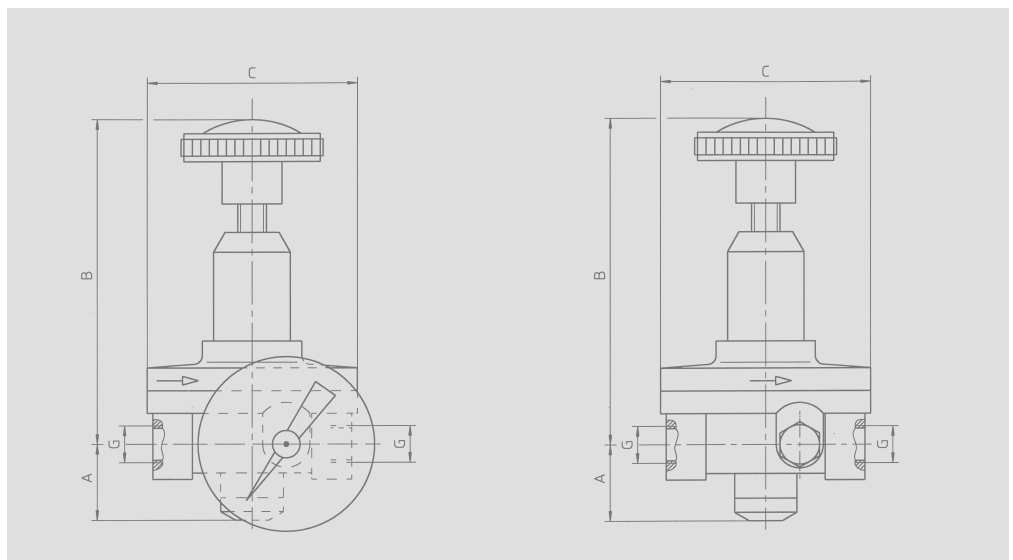


Size	Connection	Dimensions					Control range	Inlet pressure	Fasten. bracket	For control panel	without press. gauge	with press. gauge
		A	B	C	D	E						
BA1	G 1/8"	16	90	36	-	-	0 - 7 bar	max. 20 bar	with	-	080-3433	080-3434
BA1	G 1/8"	16	90	36	-	-	0 - 7 bar	max. 20 bar	with	yes	030-4073	090-3449
BA1	G 1/4"	16	90	36	-	-	0 - 7 bar	max. 20 bar	with	-	080-0270	080-2020
BA1	G 1/4"	16	90	36	-	-	0 - 7 bar	max. 20 bar	with	yes	-	090-0293

**Regulation range:  
0 to 0.8 bar / 0 to 2.5 bar**

Compressed air regulator, reverse controllable, with automatic vent, admission pressure-independent.

Operating temperature: ..... 0 °C to 80 °C  
For extraction pressure: ..... 0 to 0.8 bar /  
0 to 2.5 bar  
Admission pressure: ..... max. 20 bar

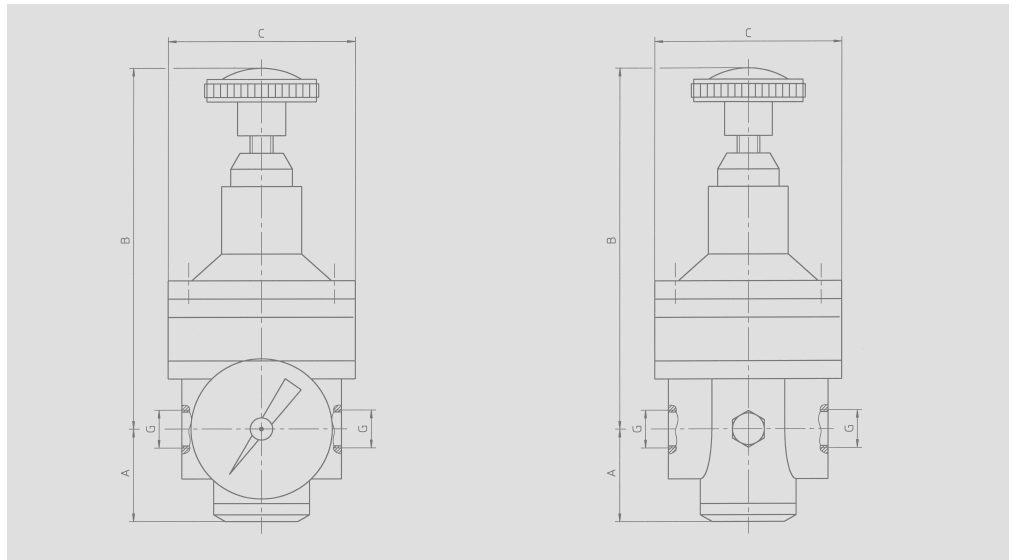


Size	Connection	Dimensions					Control range	Inlet pressure	Fasten. bracket	For control panel	without press. gauge	with press. gauge
		A	B	C	D	E						
BF1	G 1/4"	27	115	74	-	-	0 - 0.8 bar	max 20 bar	-	yes	080-1616	-
BF1	G 1/4"	27	115	74	-	-	0 - 2.5 bar	max 20 bar	-	-	090-0277	080-1140
BF1	G 1/4"	27	115	74	-	-	0 - 2.5 bar	max 20 bar	-	yes	090-0274	090-0289

**Regulation range:**  
0.05 to 2 bar / 0.05 to 4 bar /  
0.05 to 7 bar

Precision compressed air regulator,  
reverse controllable, with auto-  
matic vent, admission pressure-  
independent.

Operating temperature: ..... 0 °C to 60 °C  
For extraction pressure: ..... 0.05 to 2 bar /  
0.05 to 4 bar /  
0.05 to 7 bar  
Admission pressure: ..... max. 16 bar  
Manometer connection: ..... G1/8"

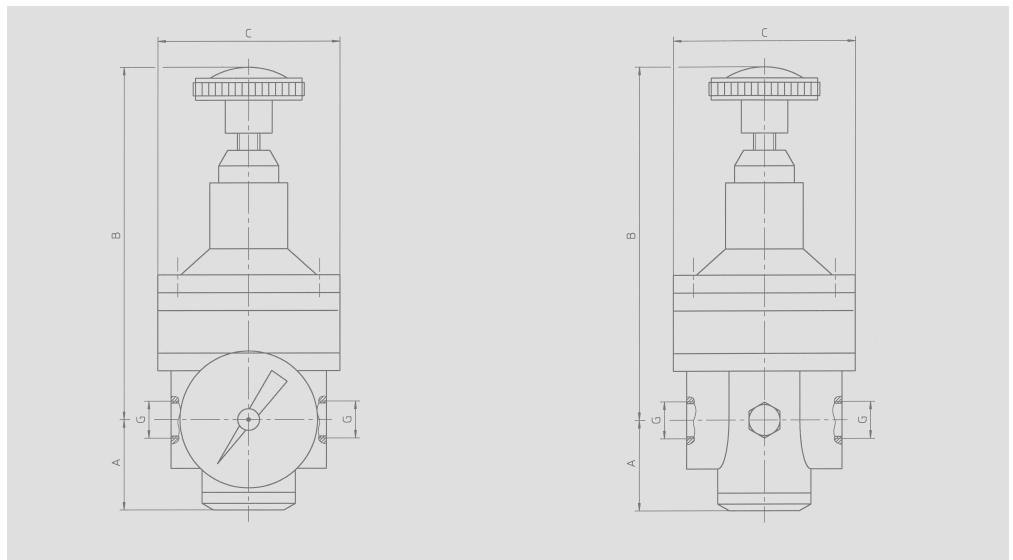


Size	Connection	Dimensions					Control range	Inlet pressure	Fastening bracket	For control panel	without press. gauge	with press. gauge
		A	B	C	D	E						
BC1	G 1/4"	17	102	58	-	-	0.05 - 2.0 bar	max. 16 bar	-	-	030-4013	090-3443
BC1	G 1/4"	17	102	58	-	-	0.05 - 4.0 bar	max. 16 bar	-	-	030-4012	090-3444
BC1	G 1/4"	17	102	58	-	-	0.05 - 7.0 bar	max. 16 bar	-	yes	030-4070	090-3445

**Regulation range:**  
0.05 to 2 bar / 0.05 to 7 bar

Precision compressed air  
regulator, reverse controllable,  
with automatic vent, admission  
pressure-independent.

Operating temperature: ..... 0 °C to 60 °C  
For extraction pressure: ..... 0.05 to 2 bar  
0.05 to 7 bar  
Admission pressure: ..... max. 16 bar  
Manometer connection: ..... G1/4"

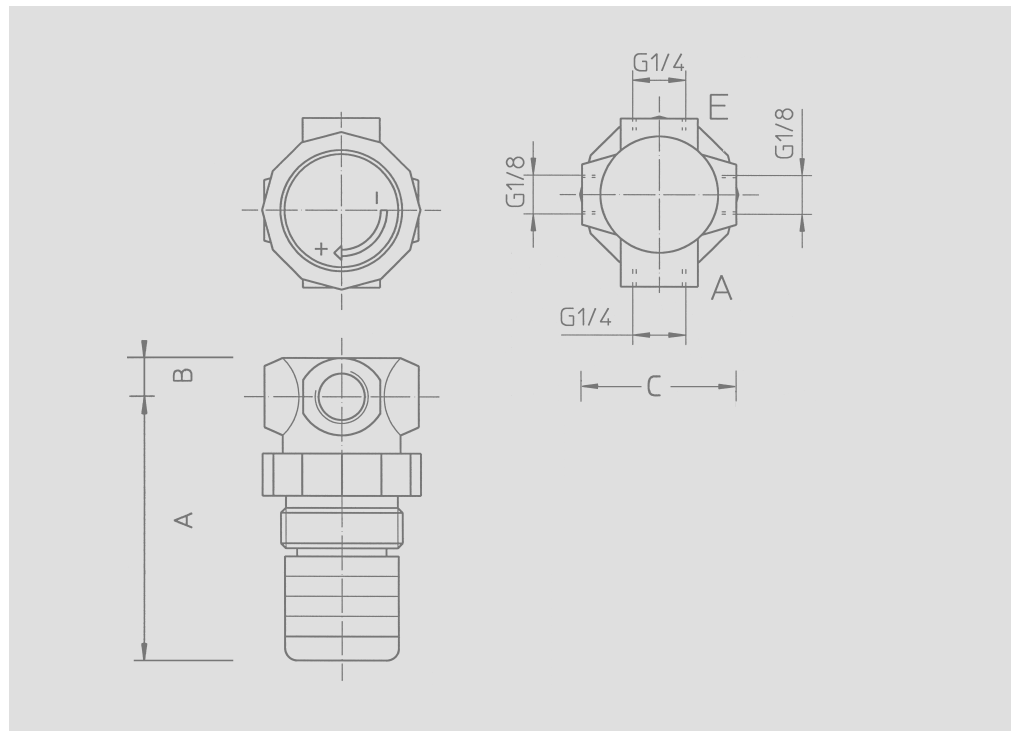


Size	Connection	Dimensions					Control range	Inlet pressure	Fasten. bracket	For control panel	without press. gauge	with press. gauge
		A	B	C	D	E						
BC2	G 3/8"	41	159	82	-	-	0.05 - 2.0 bar	max. 16 bar	-	yes	030-4071	090-3446
BC2	G 3/8"	41	159	82	-	-	0.05 - 7.0 bar	max. 16 bar	-	yes	030-4580	090-3448

**Regulation range:  
0.3 to 7.0 bar**

Compressed air regulator, reverse  
controllable, with automatic  
vent, admission pressure-inde-  
pendent.

Operating temperature: ..... 0 °C to 80 °C  
For extraction pressure: ..... 0.3 to 3.5 bar  
0.3 to 7.0 bar  
Admission pressure: ..... max. 20 bar



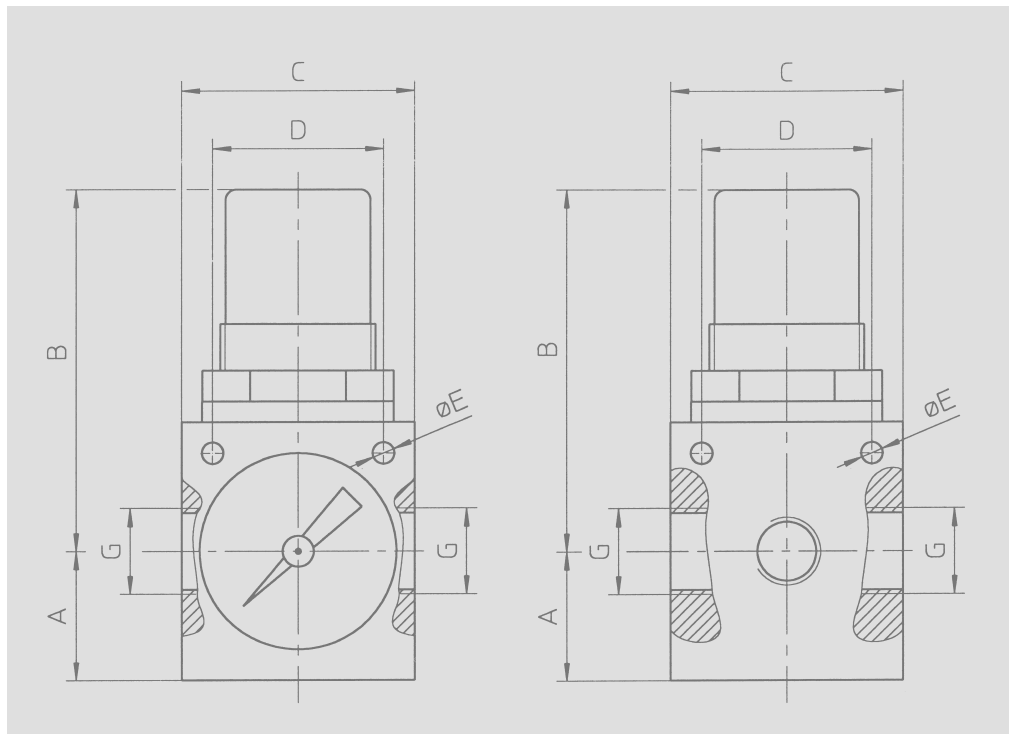
Size	Connection	Dimensions					Control range	Inlet pressure	without press. gauge
		A	B	C	D	E			
BN1	G 1/4" IG	27	4	17	-	-	0.3 - 7.0 bar	max. 20 bar	030-2021
BN1	G 1/4" IG"	27	4	17	-	-	0.3 - 3.5 bar	max. 20 bar	090-0278

**Regulation range: 0.5 to 10 bar**

Compressed air regulator, reverse controllable, with automatic vent, admission pressure-independent.

The unit may only be used with filtered air; otherwise there is a risk of malfunction. Where necessary, an air filter must be installed upstream.

Operating temperature: ..... 0°C to 50°C  
For extraction pressure: ..... 0.5 to 10 bar  
Inlet pressure: ..... max. 14 bar



Size	Connection	Dimensions					Control range	Inlet pressure	Fasten. bracket	For control panel	without press. gauge	with press. gauge
		A	B	C	D	E						
BG1	G 1/4"	20.5	64	40	-	-	0.5 - 10 bar	max. 14 bar	+	+	030-3989	090-3431
BG2	G 1/4"	25	70	53	41	4,2	0.5 - 10 bar	max. 14 bar	+	+	090-2440	090-2441
BG2	G 3/8"	25	70	45	41	4,2	0.5 - 10 bar	max. 14 bar	+	-	090-0282	090-1959
BG4	G 1/2"	37	93	73	58	6	0.5 - 10 bar	max. 14 bar	+	-	080-3429	030-1311
BG4	G 3/4"	37	93	73	58	6	0.5 - 10 bar	max. 14 bar	+	-	030-4031	090-3432
BG4	G 1"	37	93	124	58	6	0.5 - 10 bar	max. 14 bar	+	-	030-4032	090-3433

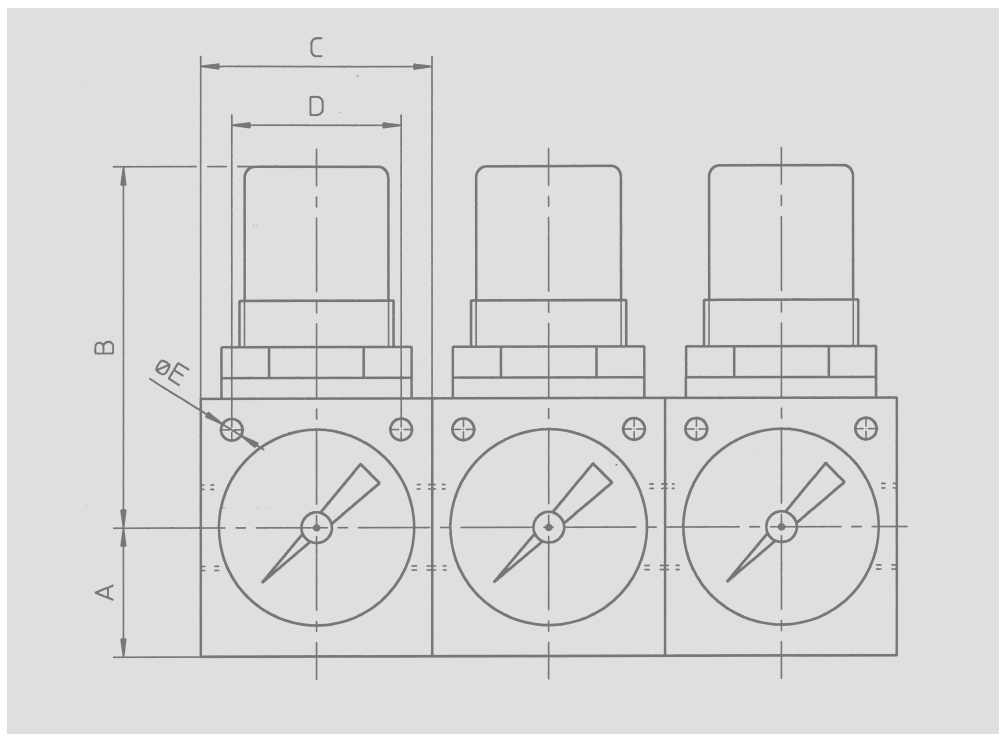
**Regulation range: 0.5 to 10 bar**

Compressed air regulator suitable for modular mounting in series. The air regulators are mounted in series with a common inlet. Each regulator can be independently controlled for different pressures. The regulators are reverse controllable with automatic vents, regulated outlet connections are at the front and back with thread connectors.

When these units are mounted in series it is possible to have, for example, the first regulator set at 4 Bar, the second at 6 Bar and the third at 7.5 Bar etc. The regulated air outlets can be from either the back or front or any combination of these.

Art. no. is for one regulator only!

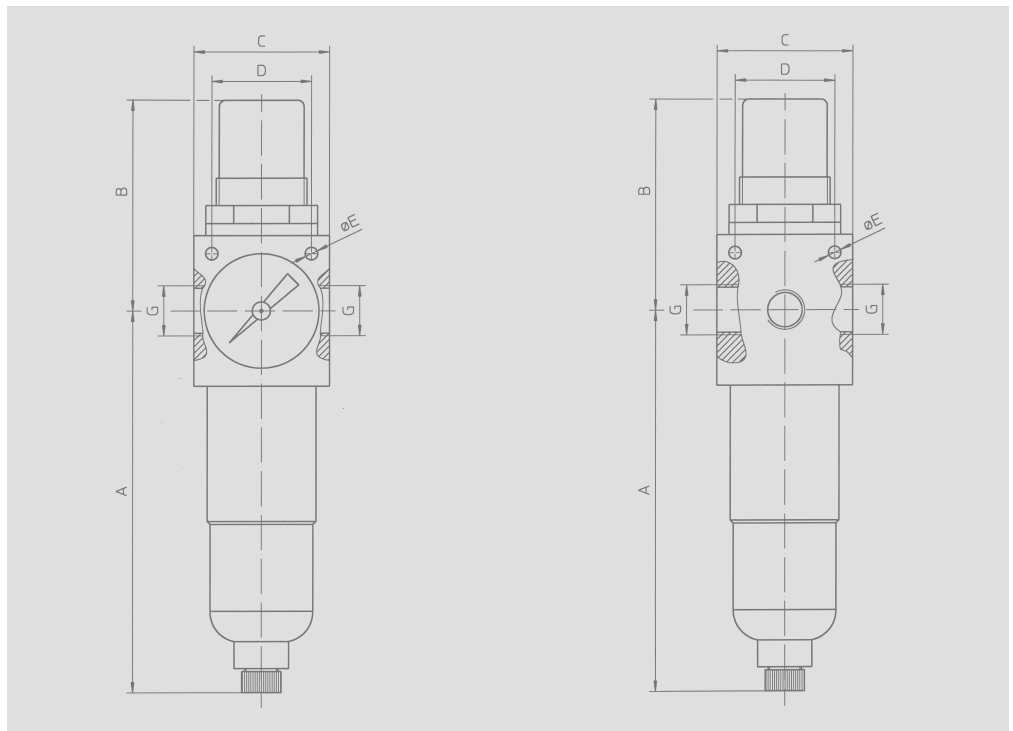
Operating temperature: ..... 0°C to 50°C  
For extraction: ..... 0.5 to 10 bar



Size	Connection	Dimensions					Control range	Inlet pressure	Fastening bracket	For control panel	without press. gauge	with press. gauge
		A	B	C	D	E						
BG2	G 1/4"	25	70	45	41	4.2	0.5 - 10 bar	max. 14 bar	+	-	030-4033	090-3434
BG2	G 3/8"	25	70	45	41	4.2	0.5 - 10 bar	max. 14 bar	+	-	030-4034	090-3435

**Regulation range: 0.5 to 10 bar**

Compressed air regulator and filter unit. Air pressure adjustable with automatic vent, filter with manual drain valve.



Operating temperature: .. 0°C to -50°C  
 For extraction pressure: .. 0.5 to 10 bar  
 Admission pressure: ..... max. 14 bar  
 Sintered filter: ..... pore width 50 µm  
 Container material: ..... PA

Container volume:  
 BG2 ..... 40 cm³  
 BG4 ..... 90 cm³

Size	Connection	Dimensions					Control range	Inlet pressure	Fasten. bracket	without press. gauge	with press. gauge
		A	B	C	D	E					
BG2	G 1/4"	127	70	53	41	4.2	0.5 - 10 bar	max 14 bar	+	030-3997	090-2008
BG2	G 3/8"	127	70	45	41	4.2	0.5 - 10 bar	max 14 bar	+	030-3998	090-2009
BG4	G 1/2"	148	93	73	58	6.0	0.5 - 10 bar	max 14 bar	+	030-3999	090-2011
BG4	G 3/4"	148	93	73	58	6.0	0.5 - 10 bar	max 14 bar	+	090-4000	090-3436
BG4	G 1"	148	93	124	58	6.0	0.5 - 10 bar	max 14 bar	+	090-4001	090-3437

+ Fastening bracket or fastening set for control panel mounting available as optional extra. See "Accessories" for order numbers

Operating temperature: .. 0°C to +50°C  
 For extraction pressure: .. 0.5 to 10 bar  
 Admission pressure: ..... max. 14 bar  
 Sintered filter: ..... pore width 50 µm  
 Container material: ..... metal

Container volume:  
 BG2 ..... 20 cm³  
 BG4 ..... 60 cm³

Size	Connection	Dimensions					Control range	Inlet pressure	Fasten. bracket	without press. gauge	with press. gauge
		A	B	C	D	E					
BG2	G 1/4"	117	70	53	41	4.2	0.5 - 10 bar	max 14 bar	+	030-4035	090-3438
BG2	G 3/8"	117	70	53	41	4.2	0.5 - 10 bar	max 14 bar	+	030-4036	090-3439
BG4	G 1/2"	146	93	73	58	6.0	0.5 - 10 bar	max 14 bar	+	030-4037	090-3440
BG4	G 3/4"	146	93	73	58	6.0	0.5 - 10 bar	max 14 bar	+	030-4038	090-3441
BG4	G 1"	146	93	73	58	6.0	0.5 - 10 bar	max 14 bar	+	030-4039	090-3442

+ Fastening bracket or fastening set for control panel mounting available as optional extra. See "Accessories" for order numbers