

Regulators/valves

Material pressure
regulators





1



2



3



4

- 1 Material pressure regulator
- 2 Material pressure regulator with pressure pipe and pressure gauge
- 3 Mini material pressure regulator
- 4 Material pressure regulator with pressure pipe and pressure gauge

Regulators/valves

Material pressure regulators

Pressure regulators, manual

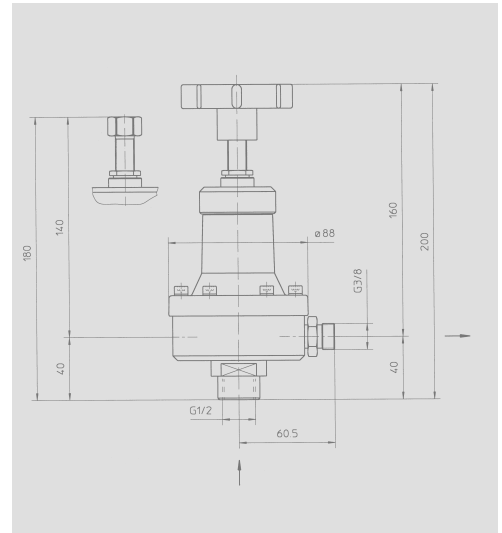
Regulation range up to max. 40 bar

Material pressure regulator, stainless steel without pressure gauge, without pressure tube

Weight: approx. 2.5 kg
Material inlet pressure: max. 50.0 bar
Operating temperature: max. 80 °C

Control range	Tungsten carbide valve	Stainless steel valve
0 - 2,5 bar	080-0911 ¹⁾	080-2206 ¹⁾
0 - 10,0 bar	080-0916 ¹⁾	080-2207 ¹⁾
0 - 20,0 bar	080-0912 ²⁾	080-2208 ²⁾
0 - 40,0 bar	080-0913 ²⁾	080-2204 ²⁾

¹⁾ with hand wheel ²⁾ with hex spindle
Mounting orientation: vertical or horizontal

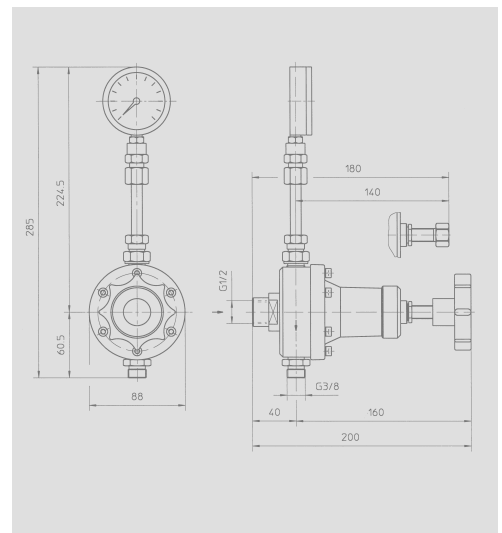


Material pressure regulator, stainless steel with pressure gauge and pressure tube

Weight: approx. 2.6 kg
Material inlet pressure: max. 50.0 bar
Operating temperature: max. 80 °C

Control range	Pressure gauge	Tungsten carbide valve	Stainless steel valve
0 - 2,5 bar	0 - 1,0 bar	090-0305 ¹⁾	090-1971 ¹⁾
0 - 2,5 bar	0 - 1,6 bar	090-2631 ¹⁾	090-2637 ¹⁾
0 - 2,5 bar	0 - 2,5 bar	090-2632 ¹⁾	090-2638 ¹⁾
0 - 2,5 bar	0 - 4,0 bar	090-2633 ¹⁾	090-2639 ¹⁾
0 - 10,0 bar	0 - 4,0 bar	090-0306 ¹⁾	090-1972 ¹⁾
0 - 10,0 bar	0 - 6,0 bar	090-2634 ¹⁾	090-2640 ¹⁾
0 - 10,0 bar	0 - 10,0 bar	090-2635 ¹⁾	090-2641 ¹⁾
0 - 10,0 bar	0 - 16,0 bar	090-2636 ¹⁾	090-2642 ¹⁾
0 - 20,0 bar	0 - 25,0 bar	090-0307 ²⁾	090-1973 ²⁾
0 - 40,0 bar	0 - 60,0 bar	090-0311 ²⁾	090-1974 ²⁾

¹⁾ with hand wheel ²⁾ with hex spindle
Mounting orientation: horizontal

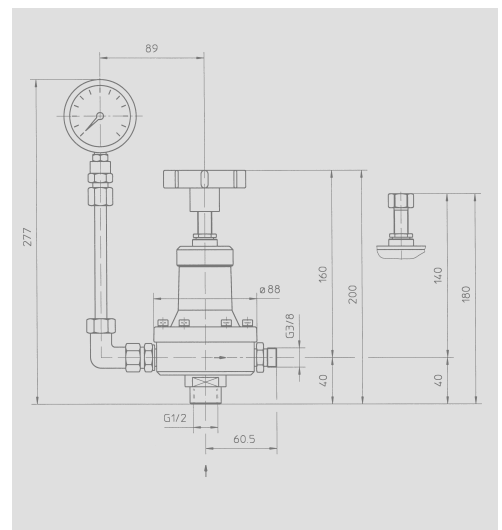


Material pressure regulator, stainless steel with pressure gauge and pressure tube

Weight: approx. 2.6 kg
Material inlet pressure: max. 50.0 bar
Operating temperature: max. 80 °C

Control range	Pressure gauge	Tungsten carbide valve	Stainless steel valve
0 - 2,5 bar	0 - 1,0 bar	090-2598 ¹⁾	090-2605 ¹⁾
0 - 2,5 bar	0 - 1,6 bar	090-2643 ¹⁾	090-2649 ¹⁾
0 - 2,5 bar	0 - 2,5 bar	090-2644 ¹⁾	090-2650 ¹⁾
0 - 2,5 bar	0 - 4,0 bar	090-2645 ¹⁾	090-2651 ¹⁾
0 - 10,0 bar	0 - 4,0 bar	090-2599 ¹⁾	090-2606 ¹⁾
0 - 10,0 bar	0 - 6,0 bar	090-2646 ¹⁾	090-2652 ¹⁾
0 - 10,0 bar	0 - 10,0 bar	090-2647 ¹⁾	090-2653 ¹⁾
0 - 10,0 bar	0 - 16,0 bar	090-2648 ¹⁾	090-2654 ¹⁾
0 - 20,0 bar	0 - 25,0 bar	090-2600 ²⁾	090-2607 ²⁾
0 - 40,0 bar	0 - 60,0 bar	090-2601 ²⁾	090-2608 ²⁾

¹⁾ with hand wheel ²⁾ with hex spindle
Mounting orientation: vertical





Regulators/valves

Material pressure regulators

Pressure regulators, manual

Regulation range up to max. 40 bar

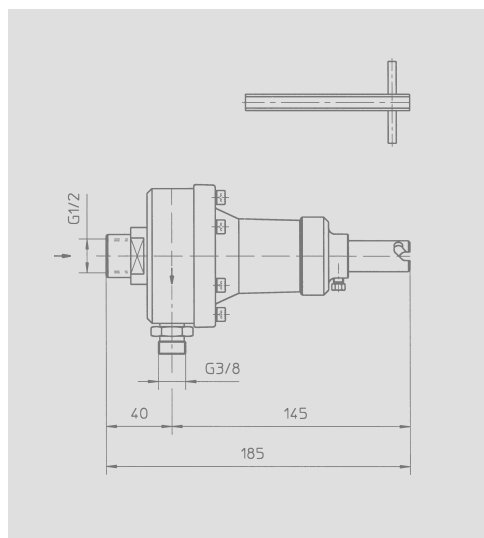
Material pressure regulator, stainless steel with fast-purge device.

Weight: approx. 2.6 kg
Material inlet pressure: max. 50.0 bar
Operating temperature: max. 80°C

Control range	Pressure gauge	Tungsten carbide valve	Stainless steel valve
0 - 2,5 bar	without	080-0915 ¹⁾	080-2209 ¹⁾
0 - 10,0 bar	without	080-0917 ¹⁾	080-2210 ¹⁾

¹⁾ Mounting orientation: horizontal

The fast-purge device is activated by turning a special socket key in the bayonet of the end cap.



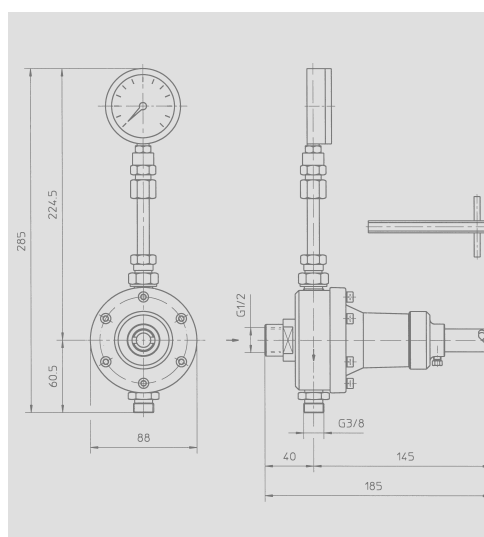
Material pressure regulator, stainless steel with pressure pipe, pressure gauge and fast-purge device

Weight: approx. 2.6 kg
Material inlet pressure: max. 50.0 bar
Operating temperature: max. 80°C

Control range	Pressure gauge	Tungsten carbide valve	Stainless steel valve
0 - 2,5 bar	0 - 4,0 bar	090-0256 ¹⁾	090-1975 ¹⁾
0 - 10,5 bar	0 - 16,0 bar	090-0257 ¹⁾	090-1976 ¹⁾

¹⁾ Mounting orientation: horizontal

The fast-purge device is activated by turning a special socket key in the bayonet of the end cap.



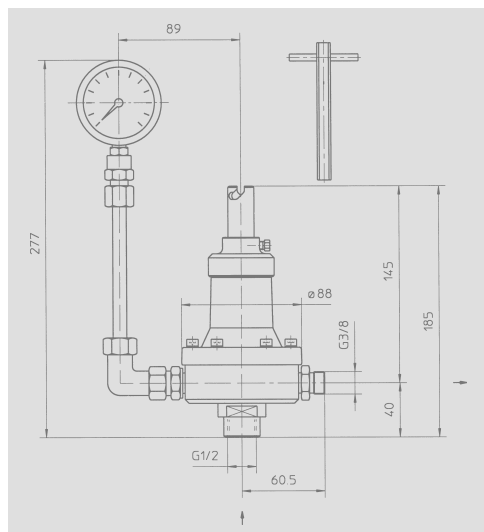
Material pressure regulator, stainless steel with pressure pipe, pressure gauge and fast-purge device

Weight: approx. 2.6 kg
Material inlet pressure: max. 50.0 bar
Operating temperature: max. 80°C

Control range	Pressure gauge	Tungsten carbide valve	Stainless steel valve
0 - 2,5 bar	0 - 4,0 bar	090-2603 ²⁾	090-2610 ²⁾
0 - 10,5 bar	0 - 16,0 bar	090-2604 ²⁾	090-2611 ²⁾

²⁾ Mounting orientation: vertical

The fast-purge device is activated by turning a special socket key in the bayonet of the end cap.



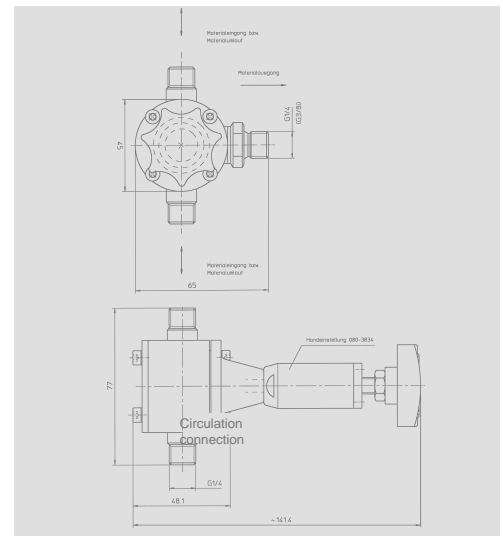
Mini material pressure regulator, stainless steel, manually adjustable.

Regulation range: 0 – 7.0 bar
Weight: approx. 480 g
Material inlet pressure: max. 15.0 bar
Operating temperature: max. 80 °C

Version	Circulation	Order no.
Tungsten carbide valve	no	090-3457 ¹⁾
Stainless steel valve	no	090-3458 ¹⁾
Tungsten carbide valve	yes	090-3459 ¹⁾
Stainless steel valve	yes	090-3460 ¹⁾
Tungsten carbide valve	no	090-3461 ²⁾
Stainless steel valve	no	090-3462 ²⁾
Tungsten carbide valve	yes	090-3463 ²⁾
Stainless steel valve	yes	090-3464 ²⁾

¹⁾ Material outlet with union nut G3/8"

²⁾ Material outlet: G1/4" AG
Material inlet: G1/4" AG
Diaphragms: polyamide
Mounting orientation: any



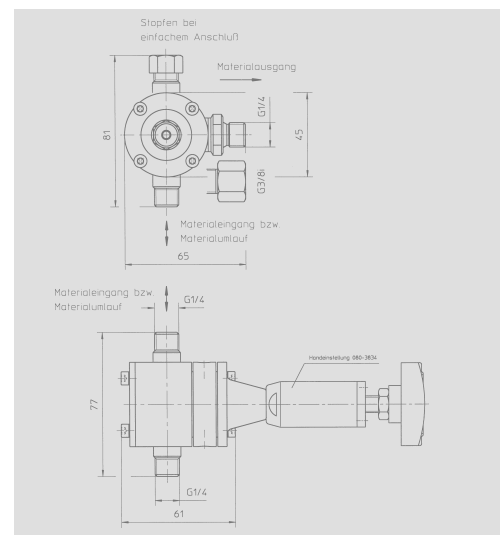
Mini material pressure regulator, stainless steel, manually adjustable, with double diaphragm and leakage borehole.

Regulation range: 0 – 7.0 bar
Weight: approx. 520 g
Material inlet pressure: max. 15.0 bar
Operating temperature: max. 80 °C

Version	Circulation	Order no.
Tungsten carbide valve	no	090-3465 ¹⁾
Stainless steel valve	no	090-3466 ¹⁾
Tungsten carbide valve	yes	090-3467 ¹⁾
Stainless steel valve	yes	090-3468 ¹⁾
Tungsten carbide valve	no	090-3469 ²⁾
Stainless steel valve	no	090-3470 ²⁾
Tungsten carbide valve	yes	090-3471 ²⁾
Stainless steel valve	yes	090-3472 ²⁾

¹⁾ Material outlet with union nut G3/8"

²⁾ Material outlet: G1/4" AG
Material inlet: G1/4" AG
Diaphragms: polyamide
Mounting orientation: any

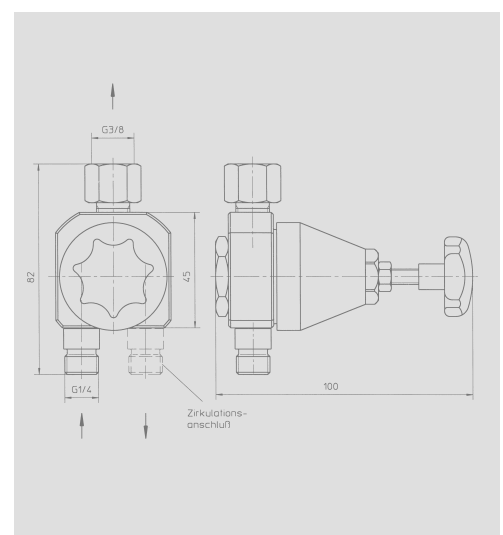


Mini material pressure regulator, manually adjustable, without pressure gauge, for direct mounting on spray guns

Weight: approx. 260 g
Material inlet pressure: max. 15.0 bar
Operating temperature: max. 80 °C

Control range	Circulation	Order no.
0 – 7,0 bar	no	090-0833
0 – 7,0 bar	yes	090-0834

Housing: hard-coated aluminium
Valve: tungsten carbide
Diaphragms: polyamide





1



4



5

- ❶ Material pressure regulator with pressure pipe and pressure gauge
- ❷ Material pressure regulator, transformation ratio: 4 : 1
- ❸ Mini material pressure regulator with circulation
- ❹ Mini material pressure regulator, stainless steel
- ❺ Mini material pressure regulator with double diaphragm and leakage borehole



2

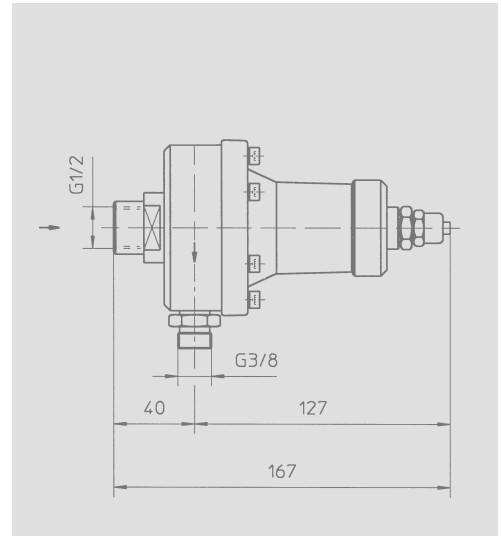


3

Material pressure regulator, stainless steel, pneumatically controllable, transformation ratio: 1:1

Weight: approx. 2.6 kg
 Material inlet pressure: max. 50.0 bar
 Operating temperature: max. 80 °C

Control range	Pressure gauge	Tungsten carbide valve	Stainless steel valve
0 - 10,0 bar	without	080-0914	080-2205

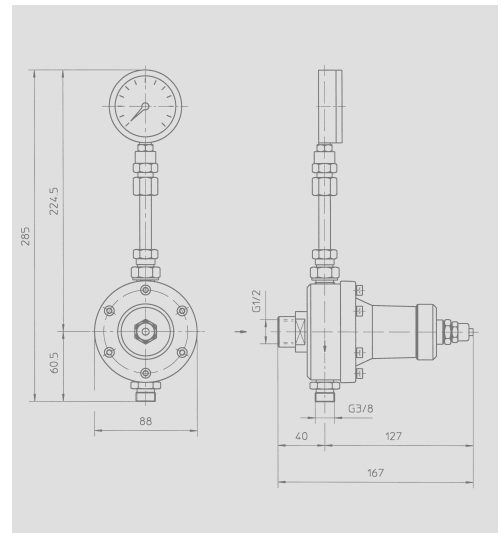


Material pressure regulator, pneumatically controllable, with pressure pipe and pressure gauge.

Weight: approx. 3.2 kg
 Material inlet pressure: max. 30.0 bar
 Operating temperature: max. 80 °C

Control range	Pressure gauge	Tungsten carbide valve	Stainless steel valve
0 - 10,0 bar	0 - 16,0 bar	090-0313	090-1970 ¹⁾
0 - 10,0 bar	0 - 16,0 bar	090-2606	090-2609 ²⁾

¹⁾ Mounting orientation: horizontal
²⁾ Mounting orientation: vertical

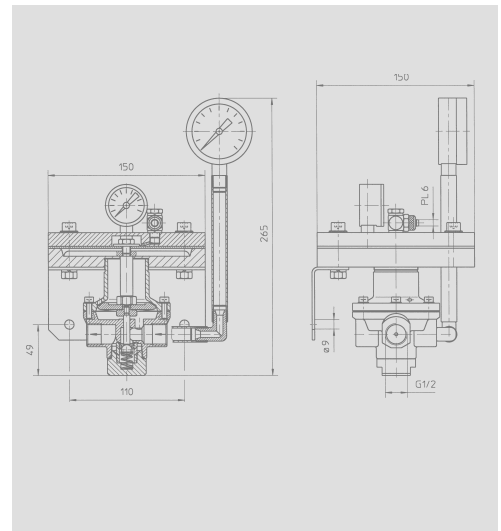


Material pressure regulator, pneumatically controllable, with pressure pipe and pressure gauge.

Weight: approx. 3.2 kg
 Material inlet pressure: max. 30.0 bar
 Operating temperature: max. 80 °C

Control range	Pressure gauge	Order no.
0 - 24,0 bar	0 - 25,0 bar	080-0894

Parts in contact with medium are chemically nickel-plated
 Diaphragms: PTFE
 Transformation ratio: 4:1
 Mounting orientation: vertical

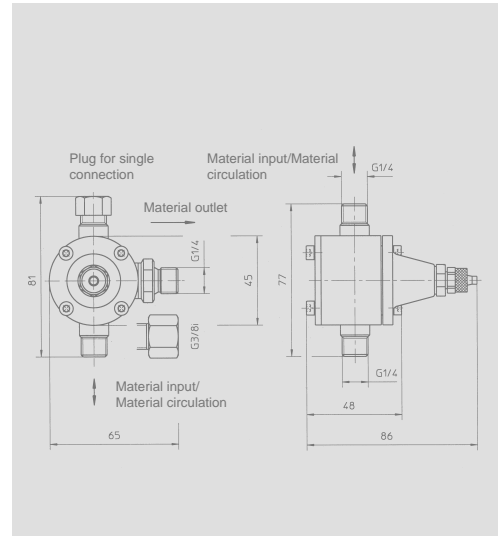


Mini material pressure regulator, stainless steel, pneumatically controllable, transformation ratio: 1:1

Regulation range: 0 – 7.0 bar
Weight: approx. 480 g
Material inlet pressure: max. 15.0 bar
Operating temperature: max. 80 °C

Version	Circulation	Order no.
Tungsten carbide valve	no	090-0180 ¹⁾
Stainless steel valve	no	090-1654 ¹⁾
Tungsten carbide valve	yes	090-0179 ¹⁾
Stainless steel valve	yes	090-1655 ¹⁾
Tungsten carbide valve	no	090-0178 ²⁾
Stainless steel valve	no	090-1656 ²⁾
Tungsten carbide valve	yes	090-0164 ²⁾
Stainless steel valve	yes	090-1657 ²⁾

¹⁾ Material outlet with union nut G3/8"
²⁾ Material outlet: G1/4" AG
Material inlet: G1/4" AG
Diaphragms: polyamide
Mounting orientation: any

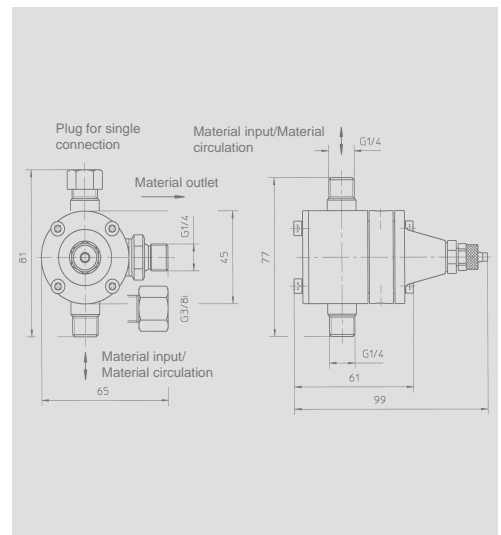


Mini material pressure regulator, stainless steel, pneumatically controllable, with double diaphragm and leakage borehole, transformation ratio: 1:1

Regulation range: 0 – 7.0 bar
Weight: approx. 520 g
Material inlet pressure: max. 15.0 bar
Operating temperature: max. 80 °C

Version	Circulation	Order no.
Tungsten carbide valve	no	090-1505 ¹⁾
Stainless steel valve	no	090-1658 ¹⁾
Tungsten carbide valve	yes	090-0867 ¹⁾
Stainless steel valve	yes	090-1659 ¹⁾
Tungsten carbide valve	no	090-1506 ²⁾
Stainless steel valve	no	090-1660 ²⁾
Tungsten carbide valve	yes	090-1585 ²⁾
Stainless steel valve	yes	090-1661 ²⁾

¹⁾ Material outlet with union nut G3/8"
²⁾ Material outlet: G1/4" AG
Material inlet: G1/4" AG
Diaphragms: polyamide
Mounting orientation: any

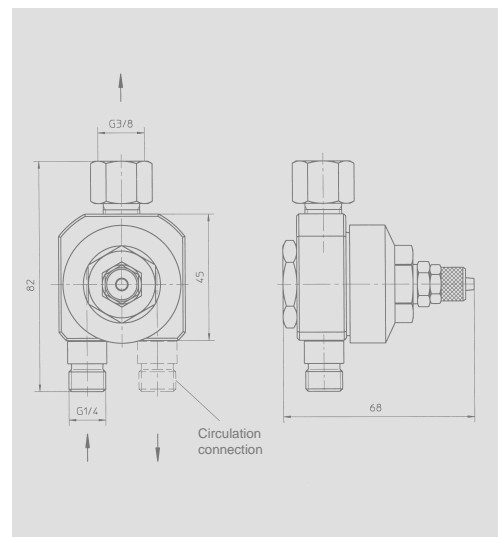


Mini material pressure regulator, pneumatically controllable, without pressure gauge, for direct mounting on spray guns, transformation ratio: 1:1

Weight: approx. 240 g
Material inlet pressure: max. 15.0 bar
Operating temperature: max. 80 °C

Control range	Circulation	Order no.
0 – 7,0 bar	no	090-0831
0 – 7,0 bar	yes	090-0832

Housing: aluminium, hard-coated
Valve: tungsten carbide
Diaphragms: polyamide





1

- 1 Material back pressure regulator
- 2 Material back pressure regulator with upstream pressure gauge unit
- 3 Material back pressure regulator with diaphragm



3



2

Regulators/valves

Material pressure regulators

Back pressure regulators, manual

Regulation range up to max. 20 bar

Material back pressure regulator for maintaining constant pressures or as overpressure monitors in line systems for liquids, without pressure gauge and pressure pipe

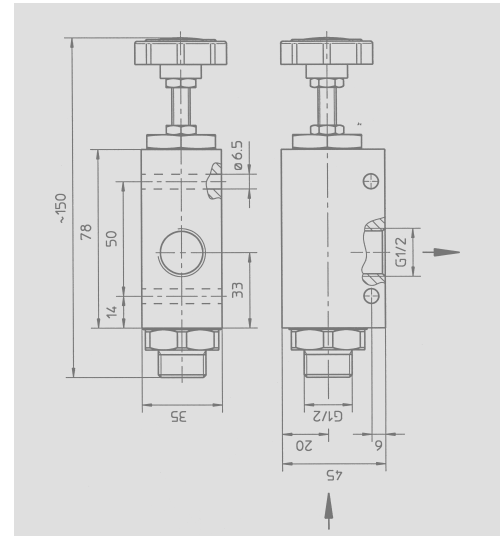
Regulation range: 0 – 6.0 bar
 Weight: approx. 980 g
 Operating temperature: max. 80 °C

Version	Order no.
Stainless steel valve	080-1554 ¹⁾
Tungsten carbide valve	080-1555 ¹⁾
Stainless steel valve	080-0903 ²⁾
Tungsten carbide valve	080-0904 ²⁾

¹⁾ Housing and parts in contact with medium are made of stainless steel.

²⁾ Housing and parts in contact with medium are chemically nickel-plated.

Mounting orientation: vertical or horizontal.
 Use tungsten carbide valve for abrasive media.



Material back pressure regulator for maintaining constant pressures or as overpressure monitors in line systems for liquids, with upstream pressure gauge unit

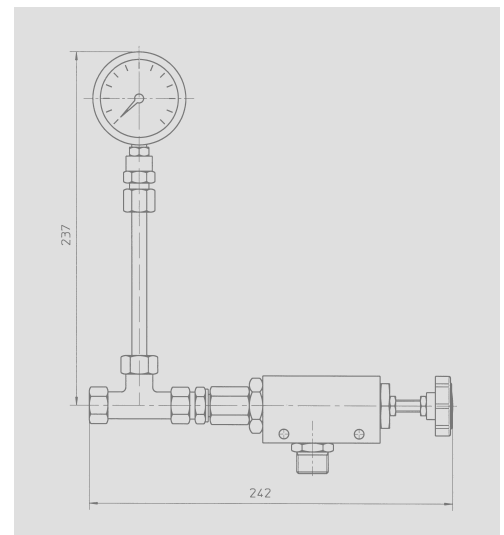
Regulation range: 0 – 6.0 bar
 Weight: approx. 1.2 kg
 Operating temperature: max. 80 °C

Version	Order no.
Stainless steel valve	090-2752 ¹⁾
Tungsten carbide valve	090-2753 ¹⁾
Stainless steel valve	090-2754 ²⁾
Tungsten carbide valve	090-2755 ²⁾

¹⁾ Housing and parts in contact with medium are made of stainless steel.

²⁾ Housing and parts in contact with medium are chemically nickel-plated.

Mounting orientation: vertical or horizontal.
 Use tungsten carbide valve for abrasive media.



Material back pressure regulator, stainless steel, without pressure pipe and pressure gauge

Weight: approx. 2.5 kg
 Operating temperature: max. 80 °C

Control range	Tungsten carbide valve	Stainless steel valve
0 – 2,5 bar	080-2726	080-2761 ¹⁾
0 – 10,0 bar	080-2759	080-2762 ¹⁾
0 – 20,0 bar	080-2760	080-2763 ²⁾

¹⁾ With hand wheel

²⁾ With hex spindle

