

Parallel gripper

Three-jaw gripper

Angle gripper

Internal-hole gripper

Other grippers

Electric gripper

GP1803

GP1804

GP1806

GP1808

GP1810

GP1812

GP1816

GP1820

GP1830

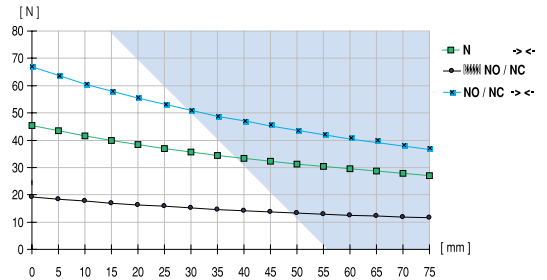
Universal Jaw

Parallel gripper

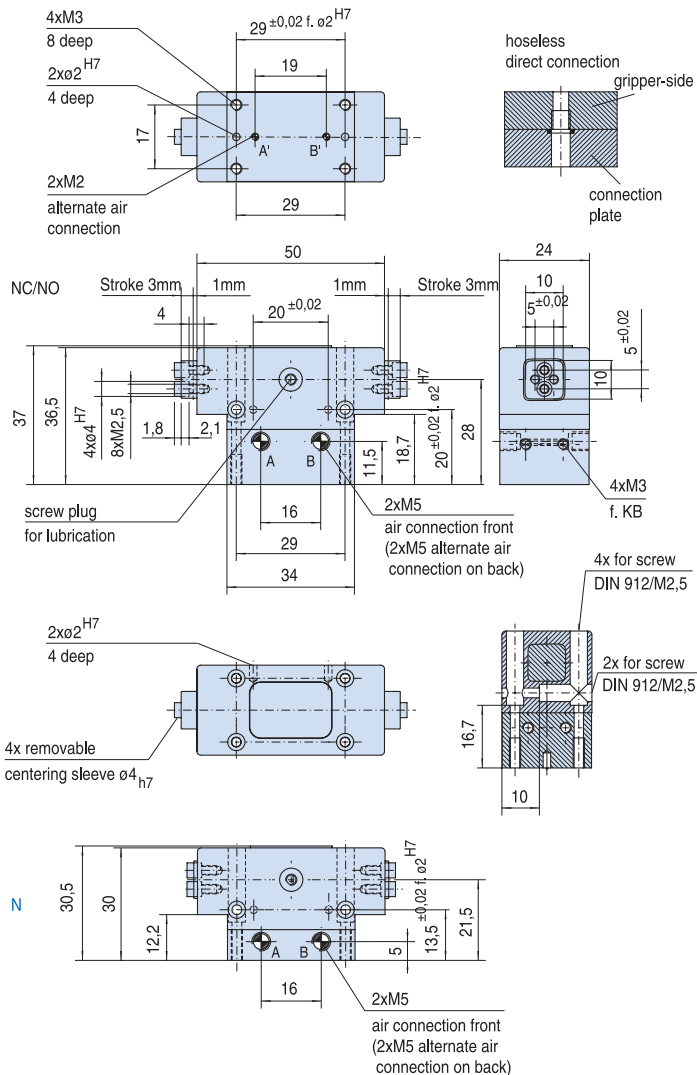
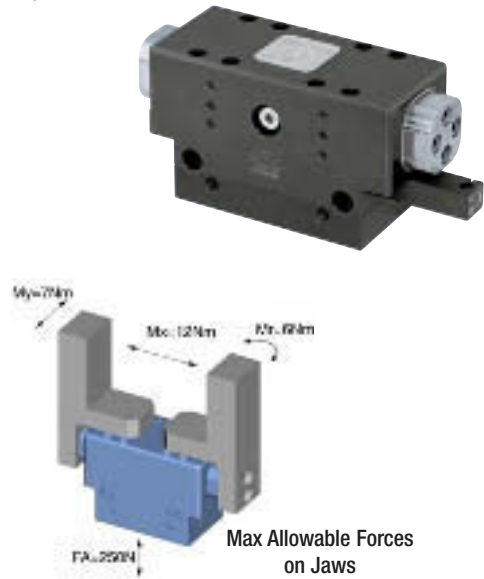
with sealed 4-sided guide

Advantages, benefits, comparisons and tips!
Stacks of information all about this product are on page 35.

Gripping force as a function of jaw length



Colored area: increased wear and tear to be expected



Order no.:		
GP1803 N	GP1803 NC	GP1803 NO
Drive:		
pneum.	pneum.	pneum.
Stroke per jaw [mm]:		
3	3	3
Gripping force in closing [N]:		
45	68	-
Gripping force in opening [N]:		
48	-	70
Self-locking via:		
DSV1/8	Spring	Spring
Closing time/opening time [s]:		
0,02	0,03	0,03
Repeatability ± [mm]:		
0,05	0,05	0,05
Min./max. operating pressure for closing [bar]:		
4 / 8	4 / 8	5 / 8
Min./max. operating pressure for opening [bar]:		
4 / 4	5 / 8	4 / 4
Air volume per cycle [cm³]:		
2	4	4
Min./max. operating temperature [°C]:		
5 / 80	5 / 80	5 / 80
Temp. resistant version up to 150° C [add to part number]:		
T3	T3	T3
Piston diameter [mm]:		
16	16	16
Weight [kg]:		
0,13	0,15	0,15

All data measured at 6 bar.

See Page 35 for Accessory list.