

Parallel gripper

Three-jaw gripper

Angle gripper

Internal-hole gripper

Other grippers

Electric gripper

GP1224

GP1240

GP1260

GP1280

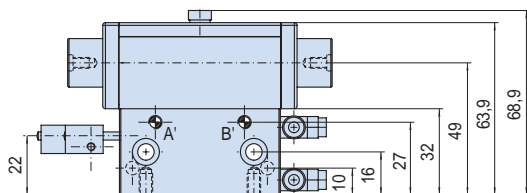
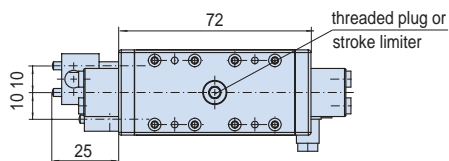
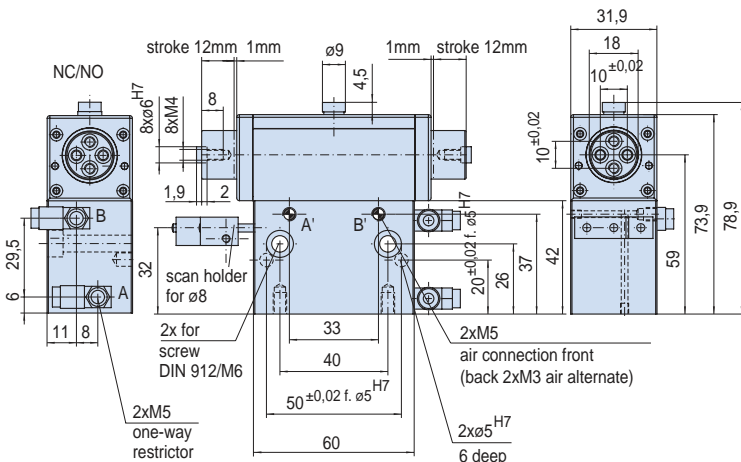
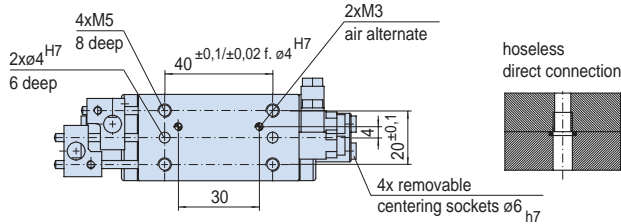
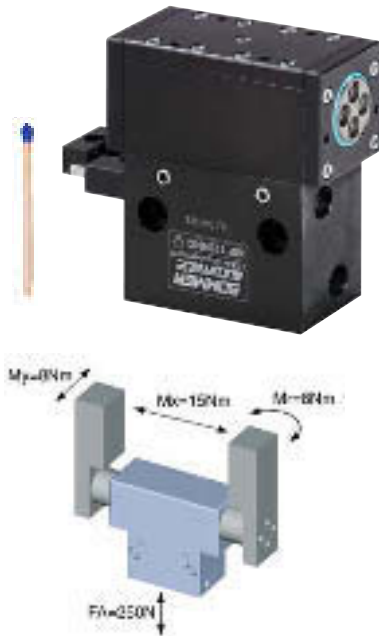
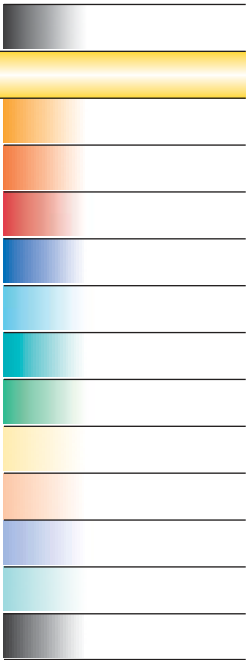
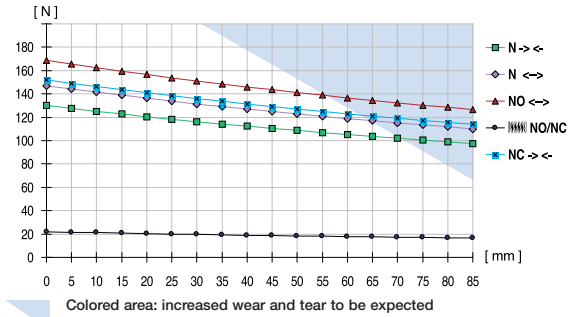
Universal jaw

Parallel gripper

with sealed round guide

Advantages, benefits, comparisons and tips!
Stacks of information all about this product are on page 53.

Gripping force as a function of jaw length



Order no.:

GP1224 N	GP1224 NC	GP1224 NO			
Drive:					
pneum.	pneum.	pneum.			
Stroke per jaw [mm]:					
12	12	12			
Gripping force in closing and opening [N]:					
130	-	-			
Gripping force in closing [N]:					
-	155	-			
Gripping force in opening [N]:					
-	-	170			
Self-locking via:					
DSV1/8	Spring	Spring			
Closing time/opening time [s]:					
0,04	0,05	0,05			
Repeatability ± [mm]:					
0,05	0,05	0,05			
Min./max. operating pressure [bar]:					
4 / 8	5 / 8	5 / 8			
Air volume per cycle [cm³]:					
12	17,5	17,5			
Min./max. operating temperature [°C]:					
5 / 80	5 / 80	5 / 80			
Temp. resistant version up to 150° C [add to part number]:					
T3	T3	T3			
Piston diameter [mm]:					
25	25	25			
Weight [kg]:					
0,48	0,55	0,55			

All data measured at 6 bar.

See Page 53 for Accessory list.