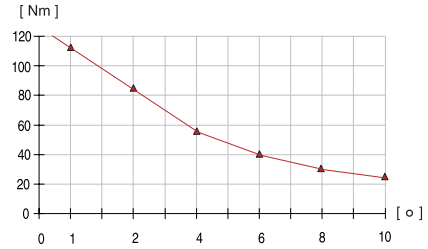


Parallel gripper		Three-jaw gripper		Angle gripper	Internal-hole gripper	Other grippers		Electric gripper				
SCH20	SCH23	ST36	ST40	ZK22	ZK33	GS65	RG0-30	RG10-60	SPG30-95	GF40	GF41	HM

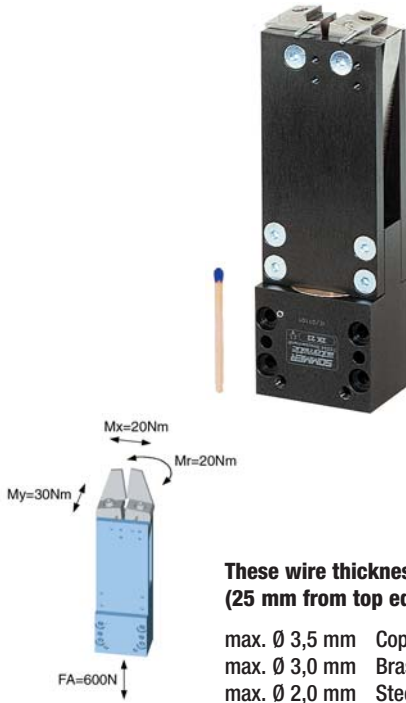
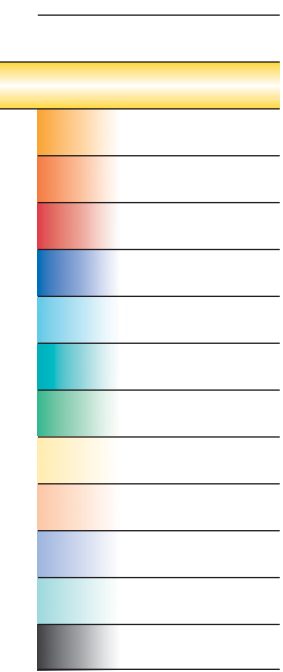
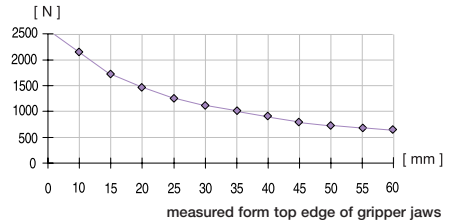
Cutting/Toggle tong

Advantages, benefits, comparisons and tips!
Stacks of information all about this product are on page 171.

Gripping force as a function of opening angle

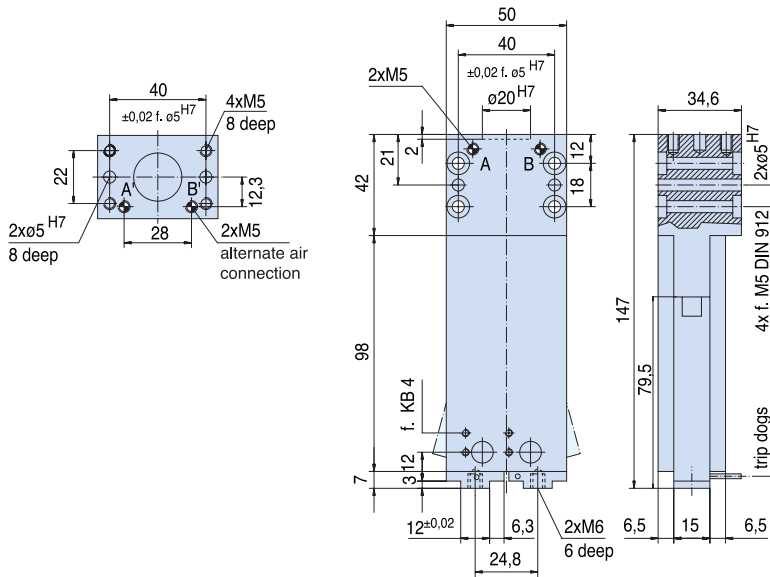


Gripping force as a function of jaw length

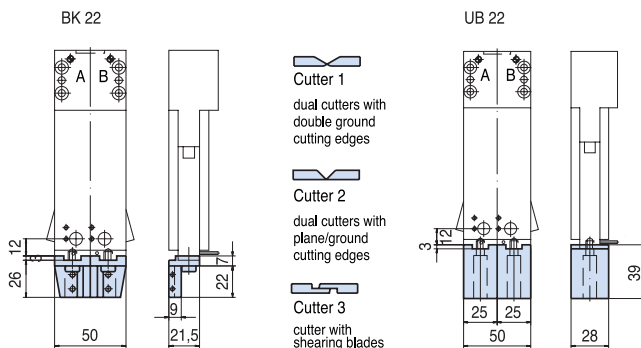


These wire thicknesses can be cut (25 mm from top edge of gripper)

- max. Ø 3,5 mm Copper wire
- max. Ø 3,0 mm Brass wire
- max. Ø 2,0 mm Steel wire (St52)



Order no.:				
BK22	Knife 1	Knife 2	Knife 3	UB22



Order no.:	ZK22			
Drive:	pneum.			
Stroke per jaw [°]:	7,5			
Gripping force in closing [N]:	2150			
Gripping torque in closing [Nm]*:	58			
Self-locking via:	mech.			
Closing time/opening time [s]:	0,15			
Repeatability ± [mm]:	0,1			
Min./max. operating pressure [bar]:	3/8			
Air volume per cycle [cm³]:	10			
Min./max. operating temperature [°C]:	5/80			
Temp. resistant version up to 150° C [add to part number]:	T2			
Piston diameter [mm]:	30			
Weight [kg]:	0,62			

All data measured at 6 bar.

All data measured at 10 mm from top edge of gripper jaw.

* measured at 1° opening angle/jaw.

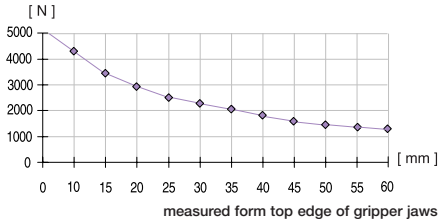
See Page 171 for Accessory list.

Parallel gripper		Three-jaw gripper		Angle gripper	Internal-hole gripper	Other grippers	Electric gripper					
SCH20	SCH23	ST36	ST40	ZK22	ZK33	GS65	RG0-30	RG10-60	SPG30-95	GF40	GF41	HM

Cutting/Toggle tongs

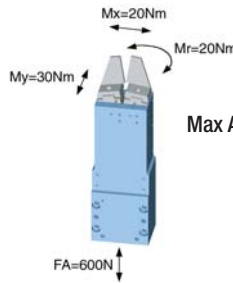
Advantages, benefits, comparisons and tips!
Stacks of information all about this product are on page 171.

Gripping force (in power stroke) as a function of jaw length

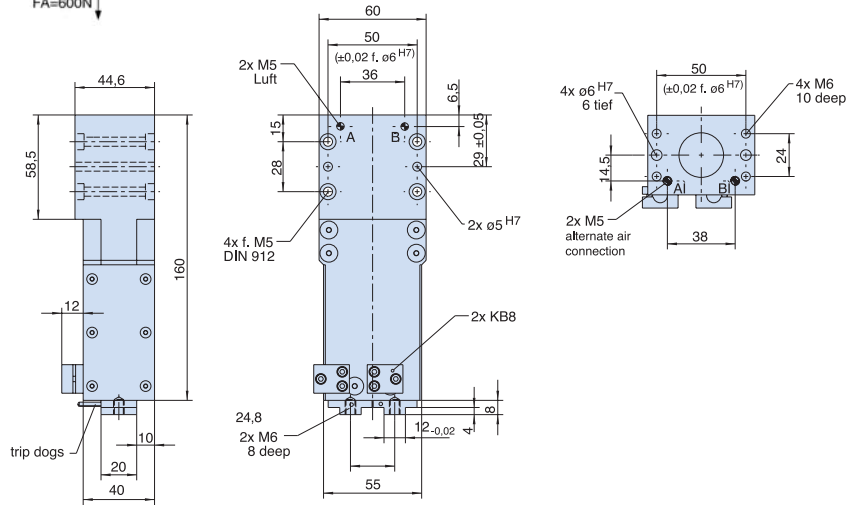


These wire thicknesses can be cut
(35 mm from top edge of gripper)

- max. Ø 6,0 mm Copper wire
- max. Ø 5,0 mm Brass wire
- max. Ø 4,0 mm Steel wire (St52)

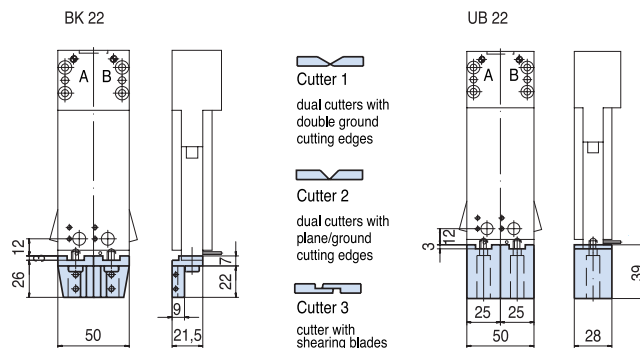


Max Allowable Forces on Jaws



Order no.:	ZK33
Drive:	pneum.
Power stroke per jaw [°]:	9
Power Stroke per jaw [°]:	2
Gripping force in closing [N]:	4200
Gripping torque in closing [Nm]*:	110
Self-locking via:	mech.
Closing time/opening time [s]:	0,2
Repeatability± [mm]:	0,1
Min./max. operating pressure [bar]:	3/8
Air volume per cycle [cm³]:	73
Min./max. operating temperature [°C]:	5/80
Temp. resistant version up to 150° C [add to part number]:	T2
Piston diameter [mm]:	40
Weight [kg]:	1,3

Order no.:	BK22	Knife 1	Knife 2	Knife 3	UB22
------------	------	---------	---------	---------	------



All data measured at 6 bar.
All data measured at 10 mm from top edge of gripper jaw.
* measured at 1° opening angle/jaw.

See Page 171 for Accessory list.