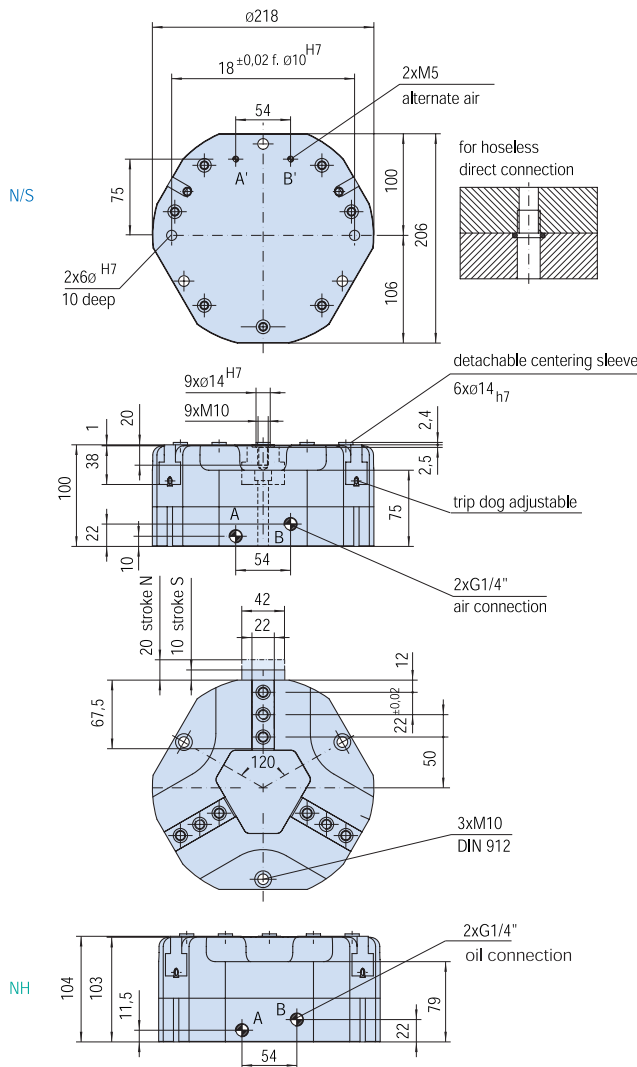
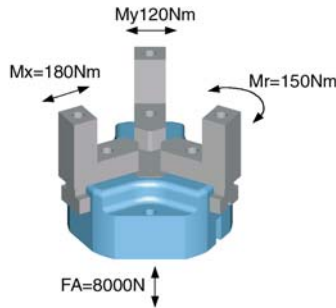
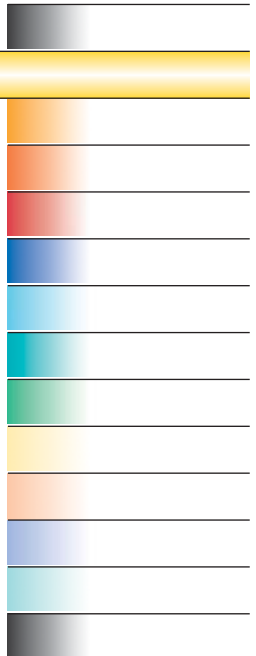
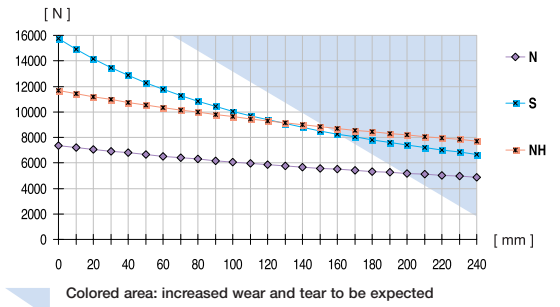


# Three-jaw gripper with T-slot guide

Advantages, benefits, comparisons and tips! Stacks of information all about this product are on page 103.

## Gripping force as a function of jaw length



Order no.:					
<b>GD320 N</b>	<b>GD320 S</b>	<b>GD320 NH</b>			
Drive:					
pneum.	pneum	hydr.			
Stroke per jaw [mm]:					
20	10	20			
Gripping force in closing [N]:					
7100	15800	11800			
Gripping force in opening [N]:					
7100	15800	11800			
Self-locking via:					
DSV1/8	DSV1/8	-			
Closing time/opening time [s]:					
0,25	0,25	0,7			
Repeatability $\pm$ [mm]:					
0,05	0,05	0,05			
Min./max. operating pressure [bar]:					
3/8	3/8	10/40			
Air volume per cycle [cm <sup>3</sup> ]:					
733	733	-			
Oil volume per cycle [cm <sup>3</sup> ]:					
-	-	230			
Min./max. operating temperature [°C]:					
5/80	5/80	5/80			
Temp. resistant version up to 150° C [add to part number]:					
T3	T3	T3			
Piston diameter [mm]:					
140	140	80			
Weight [kg]:					
10,64	10,64	11,59			

All data measured at 6 bar (hydr. 30 bar).

See Page 103 for Accessory list.