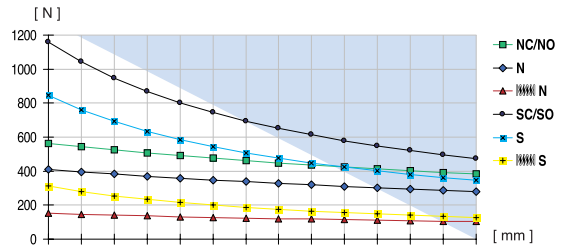


Three-jaw gripper

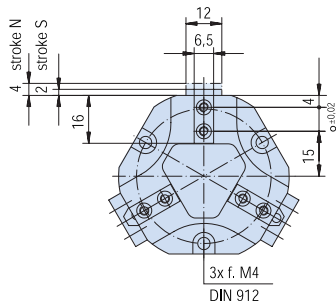
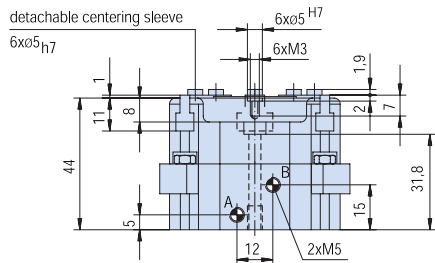
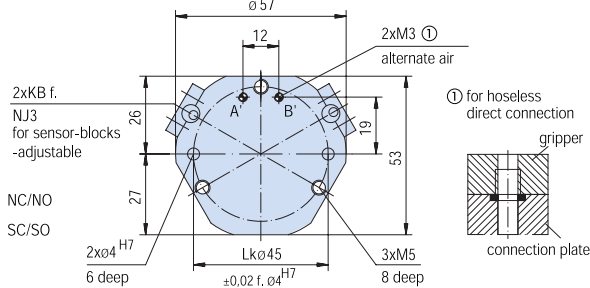
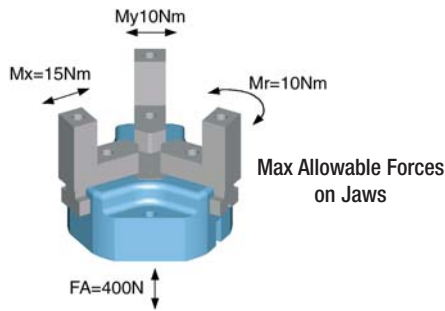
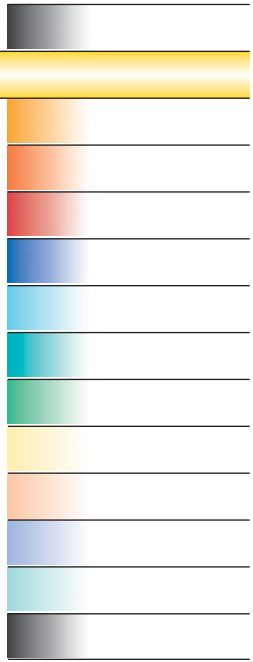
with T-slot guide

Advantages, benefits, comparisons and tips!
Stacks of information all about this product are on page 103.

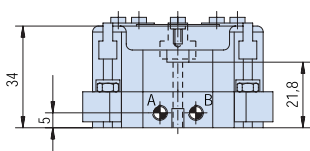
Gripping force as a function of jaw length



Colored area: increased wear and tear to be expected



N/S



Order no.:					
GD304 N	GD304 NC	GD304 NO	GD304 S	GD304 SC	GD304 SO
Drive:					
pneum.	pneum.	pneum.	pneum.	pneum.	pneum.
Stroke per jaw [mm]:					
4	4	4	2	2	2
Gripping force in closing and opening [N]:					
420	-	-	850	-	-
Gripping force in closing [N]:					
-	560	-	-	1160	-
Gripping force in opening [N]:					
-	-	560	-	-	1160
Self-locking via:					
DSV1/8	Spring	Spring	DSV1/8	Spring	Spring
Closing time/opening time [s]:					
0,05	0,07	0,07	0,05	0,07	0,07
Repeatability ± [mm]:					
0,05	0,05	0,05	0,05	0,05	0,05
Min./max. operating pressure [bar]:					
3 / 8	5 / 8	5 / 8	3 / 8	5 / 8	5 / 8
Air volume per cycle [cm ³]:					
9	18	18	9	18	18
Min./max. operating temperature [°C]:					
5 / 80	5 / 80	5 / 80	5 / 80	5 / 80	5 / 80
Temp. resistant version up to 150° C [add to part number]:					
T2	T2	T2	T2	T2	T2
Piston diameter [mm]:					
35	35	35	35	35	35
Weight [kg]:					
0,3	0,3	0,3	0,3	0,3	0,3

All data measured at 6 bar.

See Page 103 for Accessory list.