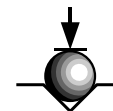
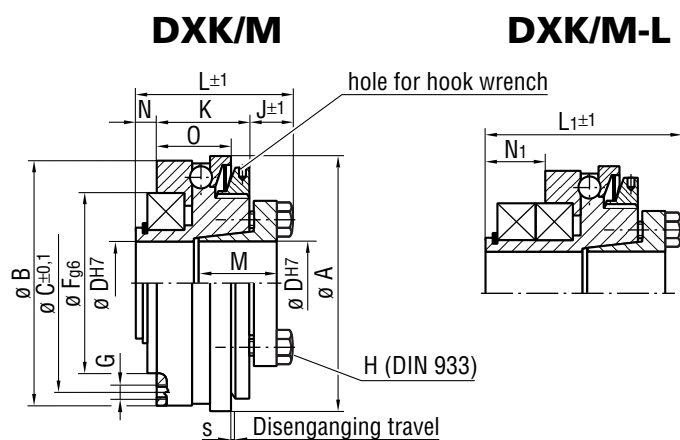


Backlash-free safety couplings



Series DXK/M and DXK/M-L with inner conical hubs



Technical data – series DXK/M and DXK/M-L

TYPE		5	10	30	60	150	200	300	500	800	1200	1600
Disengaging torque adjustable	T_{KN} Version a	0.8–3	2–5	5–15	15–35	25–75	50–140	70–160	90–250	260–600	400–900	500–1000
	T_{KN} Version b	3–5	5–10	10–30	30–70	65–150	100–200	150–300	200–500	500–1000	800–1400	900–1600
Moment of inertia (10^{-3} Kgm ²)	J Hub side	0.045	0.064	0.23	0.88	1.52	3.34	5.41	7.84	27.2	27.2	32
	J Flange side	0.01	0.016	0.06	0.22	0.38	0.83	1.35	1.96	6.8	6.8	8
Weight (appr. kg)	m	0.2	0.28	0.58	1.1	1.7	2.8	3.7	4.4	12	12	16.5
Tightening torque of retaining screws (Nm)	M_A	1.5	3	6	8.5	14	14	18	26	45	80	90
Max. rotational speed (rpm)	n_{max}	15000	12000	9300	7500	6300	5400	4900	4580	3500	3500	3000
Disengaging travel (mm)	s	0.6	0.7	1.2	1.2	2	2	2	2	2	2	2

Dimensions (mm) – series DXK/M and DXK/M-L

TYPE		5	10	30	60	150	200	300	500	800	1200	1600
Ø A		42	50	65	80	95	110	120	130	169	169	195
Ø B		38	47	61	76	90	105	115	125	164	164	190
Ø C		33	42	53	69	80	90	102	112	125	125	168
Ø D	min. – max.	5–10	8–16	9–20	12–25	15–35	20–40	30–46	35–50	40–60	40–60	60–90
Ø F		28	37	47	62	68	80	90	100	110	110	150
G	6 x thread / depth (mm)	M3/5	M3/5	M4/7	M5/8	M6/8	M6/10	M8/12	M8/12	M12/15	M12/15	M12/16
H	6 x DIN 933	M3	M4	M5	M6	M6	M6	M8	M8	M16	M16	M12
J		8	10	11.5	13	15	15	18.5	18.5	30	30	32
O		12	15	18.5	25	26	29	32	32	50	50	59
L		32	36	43	58	60	66	74	74	110	110	125
N		5	5	6	8	10	10	10	10	15	15	19
N ₁		14	15	20	26	27	28	31	31	38	38	47
M		12	17	20	25	30	30	35	38	60	60	60
L ₁		41	46	59	76	77	84	95	95	133	133	153
K		19	21	25.5	37	35	41	45.5	45.5	65	65	74