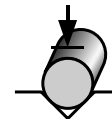
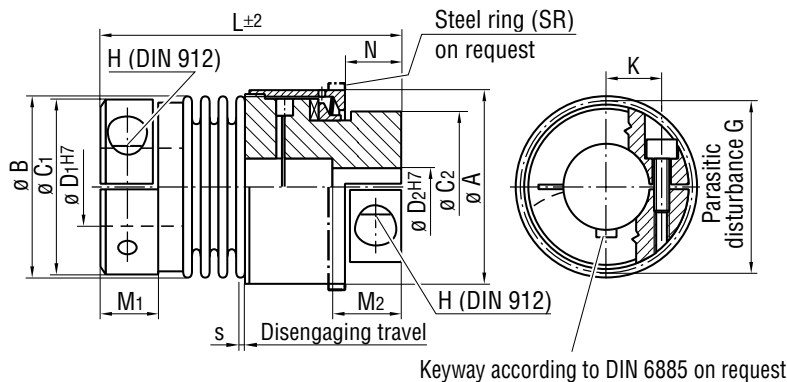


Backlash-free safety couplings



Series DBK/DK with clamping hubs



Technical data – series DBK/DK

TYPE		7	10	30	60	80	150	200	300	500
Disengaging torque adjustable	T _{KN} Version a	0,4–2	3–7	5–15	12–35	15–40	50–130	30–90	60–200	80–250
	T _{KN} Version b	3–7	5–10	10–30	20–60	30–80	65–150	60–200	100–300	200–500
Moment of inertia (10 ⁻³ Kgm ²)	J Hub side	0.035	0.035	0.16	0.4	0.95	1.5	1.65	3.25	3.78
	J Metal bellows side	0.035	0.035	0.16	0.4	0.95	1.5	1.65	3.25	3.78
Weight (appr. kg)	m	0.25	0.25	0.7	1.4	2.3	2.4	3.0	5.3	6.2
Tightening torque of retaining screws (Nm)	M _A	3	3	15/12	40/30	60/55/50	80/70/50	100/80	110/90	145
Max. permissible misalignment	- radial (mm) ΔK _r	0.15	0.15	0.1/0.2	0.1/0.2	0.2/0.2	0.2/0.2	0.2/0.2	0.2/0.2	0.2/0.2
	- axial (mm) ΔK _a	0.4	0.4	0.4/0.5	0.4/0.5	0.4/0.5	0.4/0.5	0.4/0.5	0.4/0.5	0.5/1.0
	- angular (degrees) ΔK _w	1.2	1.2	1.0/1.5	1.0/1.5	1.0/1.5	1.0/1.5	1.0/1.5	1.0/1.5	1.0/1.5
Dynamic torsional stiffness (10 ³ Nm/rad)	C _{T dyn}	5.4	8.0	36/26	73/49	126/74	151/101	173/116	499/280	680/310
Radial spring stiffness (N/mm)	C _r	90	154	718/222	1125/333	1218/403	2030/601	1531/450	6328/1470	8800/972
Axial spring stiffness (N/mm)	C _a	14	28	48/27	91/53	84/53	147/86	147/85	284/153	105/86
Max. rotational speed (rpm)	n _{max}	11690	11690	9540	8180	6220	6220	5720	5200	4470
Disengaging travel (mm)	s	0.7	0.7	1.2	1.2	1.2	1.2	1.2	1.2	1.2

Dimensions (mm) – series DBK/DK

TYPE		7	10	30	60	80	150	200	300	500
Ø A		49	49	60	70	92	92	100	110	128
Ø B		40	40	56	66	82	82	90	110	122
Ø C ₁		40	40	47/56	57/66	68/80/84	68/80/84	80/90	91/96	110
Ø C ₂		40	40	44	55	77	77	80	89	92
Ø D ₁	Min. Max.	6–19	6–25	10/20 20/25	14/23 23/35	20/28/35 28/35/40	20/28/35 28/35/40	25/32 32/42	32/40 40/50	40–60
Ø D ₂	min. – max.	6–19	6–19	10–23	14–25	20–35	20–38	25–35	32–50	35–50
H		M4	M4	M6	M8	M10	M10	M12	M12	M12
L	2)	66/77	66/77	85/93	105/116	113/124	113/124	124/137	140/151	158/169
M ₁		16	16	24	29	31	31	38	37	41
M ₂		17	17	24	29	34	34	34	39	40
N		10	10	15	18	20	20	20	23	26
K		15.5	15.5	16/20	20/23	24/27/28	24/27/28	26/31	32/35	40
G	Parasitic disturbance	41.5	41.5	56	68	84	84	93	102	111

- Temperature range: -30 °C to +100 °C
 - Higher temperatures on request

2) Two metal bellows versions with different dynamic torsional stiffnesses are available.
 The length L therefore varies.