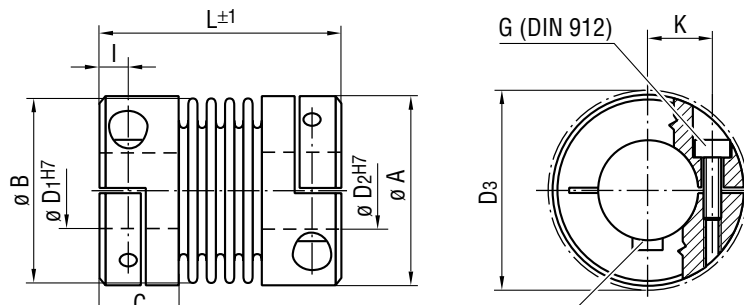


Metal bellows couplings

Series DKN – miniature



Keyway according to DIN 6885¹⁾ on demand

Technical Data, Dimensions

TYPE	DIMENSIONS (mm)									TECHNICAL DATA					
	Ø A	Ø B	C	L (±1)	I	D ₁ /D ₂ (H7) from/to	D ₃ Clearance diameter	G (DIN 912) 8.8	K	Nominal torque T _{KN} (Nm)	Misalignment (mm)		Torsional stiffness C _{T dyn} (Nm/rad)	Moment of inertia J (g cm ²)	Weight m (g)
											radial ΔK _r	axial ΔK _a			
DKN 4/21	15.5	15	7	21	2.4	3–6.5	17.5	M2	5.6	0.4	0.1	0.2	254	2.6	9
DKN 4/24	15.5	15	7	24	2.4	3–6.5	17.5	M2	5.6	0.4	0.15	0.3	190	2.6	9
DKN 4/28	15.5	15	7	27	2.4	3–6.5	17.5	M2	5.6	0.4	0.2	0.4	152	2.6	9
DKN 9/23	15.5	15	7	23	2.4	3–6.5	17.5	M2	5.6	0.9	0.1	0.2	507	2.6	9
DKN 9/26	15.5	15	7	26	2.4	3–6.5	17.5	M2	5.6	0.9	0.15	0.3	380	2.9	10
DKN 9/30	15.5	15	7	30	2.4	3–6.5	17.5	M2	5.6	0.9	0.2	0.4	305	3.2	11
DKN 15/26	20	19	9	26	3	3–10	21	M2.5	7	1.5	0.1	0.25	748	11	22
DKN 15/30	20	19	9	30	3	3–10	21	M2.5	7	1.5	0.15	0.4	701	12	24
DKN 20/32	25	24	12	32	3.5	3–12	27	M3	9	2	0.1	0.3	1530	25	36
DKN 20/38	25	24	12	38	3.5	3–12	27	M3	9	2	0.2	0.4	1290	27	38
DKN 20/42	25	24	12	42	3.5	3–12	27	M3	9	2	0.25	0.5	1030	28	40
DKN 45/41	32.5	32	14	41	4.5	6–16	34	M4	11.5	4.5	0.1	0.3	6450	98	74
DKN 45/50	32.5	32	14	50	4.5	6–16	34	M4	11.5	4.5	0.2	0.5	4030	103	78
DKN 100/47	40.5	40	14.5	47	5	6–19	41.5	M4	15.5	10	0.15	0.4	8070	231	120
DKN 100/57	40.5	40	14.5	57	5	6–19	41.5	M4	15.5	10	0.25	0.5	6720	250	130

Angular misalignment:

1.2° to 2°, depending on length

Hub bores:

Standard quality of fitting H7.
Custom bores on demand.

Standard bores:

DKN 4-15 Ø 6H7
DKN 20 Ø 6H7 und 10H7
DKN 45-100 Ø 10H7

Tooling materials:

Hubs made of anodized aluminum, metal bellows made of stainless steel.

1) Tolerance of keyway: Standard JS9.