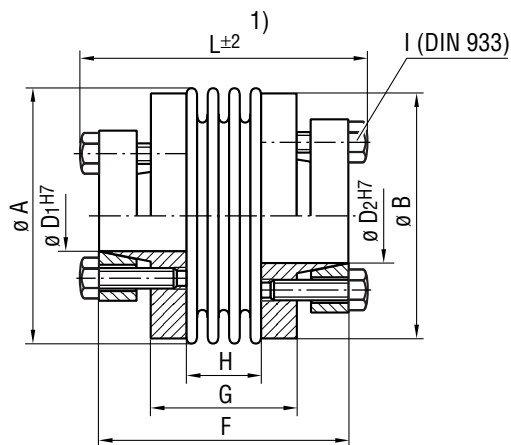


Metal bellows couplings

Series AK/SB with outer conical hubs – release during dismantling



Technical Data – Series AK/SB

TYPE		18	30	60	150	200	300	500	800	1400	3000	5000
Nominal moment (Nm)	T_{KN}	18	30	60	150	200	300	500	800	1400	3000	5000
Torsional stiffness (10^3 Nm/rad)	$C_{T\ dyn}$	8/6	36/26	73/49	151/101	173/116	499/280	310	758	1266	2800	4800
Radial spring (N/mm)	C_r	204/86	718/222	1125/333	2030/601	2531/450	6328/1470	972	512	706	2950	4920
Axial spring (N/mm)	C_a	52/39	48/27	91/53	147/86	147/85	284/153	86	186	278	310	510
Moment of inertia (10^{-3} Kgm ²)	J	0.1	0.15	0.4	0.8	1.5	4	14	48	48	54	136
Tightening torque of retaining screws (Nm)	M_A	5.9	5.9	8.7	15	15	25	36	85	115	125	210
Weight (ca. kg)	m	0.3	0.4	0.8	1.3	1.6	3.4	4	7.5	7.5	16	27
Max. approved misalignment												
- radial (mm)	ΔK_r	0.1/0.2	0.1/0.2	0.1/0.2	0.2/0.2	0.2/0.2	0.2/0.2	0.2	0.2	0.2	0.2	0.2
- axial (mm)	ΔK_a	0.4/0.5	0.4/0.5	0.4/0.5	0.4/0.5	0.4/0.5	0.4/0.5	1.0	1.0	1.0	1.0	1.0
- angular (degree)	ΔK_w	1.0/1.5	1.0/1.5	1.0/1.5	1.0/1.5	1.0/1.5	1.0/1.5	1.5	1.5	1.5	1.5	1.5
Max. rotating speed at V = 30 m/s (rpm)	n_{max}	12700	1100	9100	7000	6700	5200	4600	3700	3700	2800	2800

Dimensions (mm) – Series AK/SB

TYPE	18	30	60	150	200	300	500	800	1400	3000	5000
L±2	65/73	60/68	80/90	98/110	98/110	111/122	135	180	180	220	245
Ø A	45	56	66	82	90	110	122	157	157	157	208
Ø B	45	52	65	80	85	110	122	152	152	152	190
Ø D1H7 / Ø D2H7											
- min.	9	12	15	20	20	25	35	50	50	55	60
- max.	15	20	32	35	42	50	55	70	70	75	85
F	58/66	53/61	73/83	90/102	90/102	100/111	124	164	164	204	225
G	38/46	31/39	37/47	50/62	51/63	56/67	72	110	110	146	146
H	24/32	16/24	21/31	24/36	25/37	29/40	40	84	84	84	94
I (DIN 933)	4 x M5	6 x M5	6 x M5	6 x M6	6 x M6	6 x M8	6 x M8	6 x M12	6 x M12	6 x M12	6 x M16

1) Keep space for the releasing screws.

2) Stainless steel version also available.