

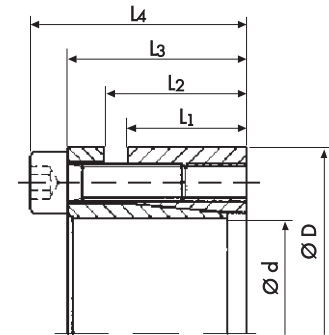
Locking Assembly PSV 2006



Advantages

- cost effective
- quick installation

Shaft sizes up to 150 mm
Torque up to 33.000 Nm



Technical Data and Dimensions

Locking Assembly Dimensions						Transmissible Torque T Nm	Axial Force F _{ax} kN	Contact surface pressure between locking assembly and Shaft		Locking screws G DIN 912	Tightening torque of screws T _A Nm
Ø d mm	Ø D mm	L ₁ mm	L ₂ mm	L ₃ mm	L ₄ mm			P _w N/mm ²	P _N N/mm ²		
19	47	17	22	28	34	360	30	280	120	M6	14
20	47	17	22	28	34	360	30	280	120	M6	14
22	47	17	22	28	34	400	30	270	120	M6	14
24	50	17	22	28	34	440	40	240	120	M6	14
25	50	17	22	28	34	560	40	280	140	M6	14
28	55	17	22	28	34	630	40	250	130	M6	14
30	55	17	22	28	34	650	40	240	130	M6	14
32	60	17	22	28	34	950	50	290	150	M6	14
35	60	17	22	28	34	1.100	50	270	150	M6	14
38	65	17	22	28	34	1.100	50	250	150	M6	14
40	65	17	22	28	34	1.200	50	230	150	M6	14
45	75	20	25	33	41	2.200	70	290	170	M8	35
50	80	20	25	33	41	2.400	90	260	160	M8	35
55	85	20	25	33	41	3.100	90	270	170	M8	35
60	90	20	25	33	41	3.400	90	240	160	M8	35
65	95	20	25	33	41	4.100	90	250	170	M8	35
70	110	24	30	40	50	6.300	120	280	180	M10	70
75	115	24	30	40	50	6.700	120	260	170	M10	70
80	120	24	30	40	50	7.100	120	250	170	M10	70
85	125	24	30	40	50	8.800	130	260	180	M10	70
90	130	24	30	40	50	9.100	130	250	170	M10	70
95	135	24	30	40	50	10.600	130	260	180	M10	70
100	145	26	32	44	56	13.400	170	270	190	M12	125
110	155	26	32	44	56	14.600	170	240	180	M12	125
120	165	26	32	44	56	17.900	200	250	180	M12	125
130	180	34	40	52	64	26.000	270	240	170	M14	190
140	190	34	40	54	68	27.000	270	210	150	M14	190
150	200	34	40	54	68	33.000	320	230	170	M14	190

Additional diameters available upon request. Technical Specifications subject to change without notice.

Order data:

20 x 47 PSV 2006
d x D Type

Applications

- sprockets
- conveying equipment
- conveyor drums
- pulleys
- similar applications requiring a strong and economical connection

Technical Details

- self-centering
- tolerances H8/h8
- surface roughness
R_a max 16µm for shaft and hub