

Locking Assembly PSV 2005

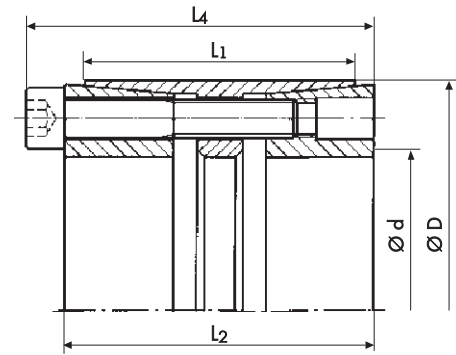


Advantages

- transmission of high torque values
- robust design

Shaft sizes up to 200 mm

Torque up to 151.000 Nm



Technical Data and Dimensions

Locking Assembly Dimensions					Transmissible Torque	Axial Force	Contact surface pressure between locking assembly and Shaft		Locking screws	Tightening torque of screws
Ø d mm	Ø D mm	L ₁ mm	L ₂ mm	L ₄ mm			P _w N/mm ²	P _N N/mm ²		
24	55	32	40	46	800	66.800	308	134	M6	17
25	55	32	40	46	840	66.800	295	134	M6	17
28	55	32	40	46	940	66.800	264	134	M6	17
30	55	32	40	46	1.000	66.800	246	134	M6	17
35	60	44	54	60	1.360	78.000	174	101	M6	17
40	75	44	54	62	2.880	144.000	281	150	M8	41
45	75	44	54	62	3.240	144.000	250	150	M8	41
50	80	56	64	72	4.120	165.000	198	124	M8	41
55	85	56	64	72	5.090	185.000	203	131	M8	41
60	90	56	64	72	6.170	206.000	207	138	M8	41
65	95	56	64	72	6.690	206.000	191	131	M8	41
70	110	70	78	88	11.800	338.000	229	145	M10	83
75	115	70	78	88	12.700	338.000	213	139	M10	83
80	120	70	78	88	14.900	372.000	220	147	M10	83
85	125	70	78	88	15.800	372.000	207	141	M10	83
90	130	70	78	88	18.200	405.000	213	148	M10	83
95	135	70	78	88	19.300	405.000	202	142	M10	83
100	145	90	101	113	27.700	555.000	210	145	M12	145
110	155	90	101	113	33.300	605.000	209	148	M12	145
120	165	90	101	113	42.400	706.000	223	162	M12	145
140	190	104	116	130	67.400	963.000	217	160	M14	230
160	210	104	116	130	88.100	1.101.000	217	166	M14	230
180	235	134	148	164	127.000	1.416.000	190	145	M16	355
200	260	134	148	164	151.000	1.511.000	182	140	M16	355

Additional diameters available upon request. Technical Specifications subject to change without notice.

Order data:

24 x 55 PSV 2005
d x D Type

Applications

- drives in mechanical presses
- shredders
- rock crushers
- similar applications with high torque requirements

Technical Details

- self-centering
- tolerances H8/h8
- surface roughness
R_a max 16µm for shaft and hub